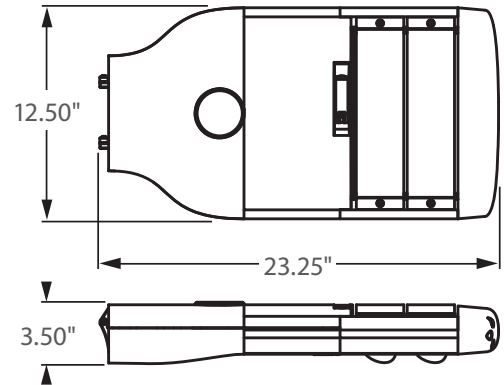




** AVAILABLE **

Bi-Level Dimming
100% 50%

0 - 10V
FULL DIMMING



Incredible **100,000** hrs

GENERAL DESCRIPTION

Neptun's Modular LED Street Light fixtures combine architectural form and versatility to make it an excellent choice for new construction or retrofit applications. The LED-89 series fixture is offered in a variety of wattages to provide maximum flexibility in all types of applications. Custom engineered optics provide excellent uniformity and efficiency. It can replace existing HID & HPS fixtures up to 175W.

APPLICATION

- Street Lighting
- Pathway Lighting
- Parking Lot Lighting
- Security Lighting
- Storage Area Lighting

STRUCTURE, MATERIALS, & FEATURES

- Heavy-gauge, die-cast aluminum housing with excellent thermal management.
- Corrosion resistant polyester powder grey finish (custom colors available).
- Slim, state of the art, low profile design for minimum wind load resistance.
- Continuous silicone gasket surrounds lens for IP68 weather tight seal.
- Tool-Less entry housing for easy installation and maintenance.
- Internal Bubble Level for easy installation.
- Optional NEMA Twistlock Photocell for increased energy savings.
- High Output COB LED's with borosilicate glass lens optics.
- High power factor, low THD driver with 6kV/3kA surge protection. Optional 20kV/10kA surge protector available.
- InstantON flicker-free Cold Start and Hot Re-Start.
- Up to 20 years Maintenance free operation.
- 10 Year Warranty on complete fixture. (LED's, Driver, & Housing)
- **Optional:** 0-10V Dimming, Bi-Level Dimming, Wi-Fi Control, Remote Monitoring and ON/ OFF Control, DC 24V Operation - Solar Compatible

ORDERING INFORMATION

Sample Number: LED-89050-M2-UNV-0-10VDIM-850-LD-T2-GRY
Custom options and accessories available. Please consult factory

Series	Wattage	Voltage	Options	Color Temp	Accessories	Optics	Color
LED-89 = Modular Street Light	050-M2 = 50 W 060-M2 = 60 W 080-M2 = 80 W	UNV = 120-277 VAC 347V = 347 VAC 480V = 480 VAC 24VDC = 24 VDC	0-10VDIM = 0-10V Dimming BL-DIM = Bi-Level Dimming * * Includes Motion Sensor * Contact factory for dimming options	830 = 3000°K 835 = 3500°K 841 = 4100°K 850 = 5000°K AMB = Amber (585-595nm)	LD = NEMA Twist-Lock Photocell & Receptacle LDR-3P = 3Pin Photocell Receptacle LDR-7P = 7Pin Photocell Receptacle MD = Motion Sensor ON/OFF SP = 20kV/10kA surge protector HSGS = House Side Glare Shield LGN = Light Genie Node * * Contact factory for product Information	T2 = Type 2 Distribution T2N = Type 2 Narrow Dist.	GRY = Grey * Custom Colors Available



lightinnovations@work™

PRODUCT INFORMATION

Model No.	Description	Input Watts	Delivered Lumens	Universal Line Voltage (VAC)	Max Line Current (Amp) 120 - 277	THD	Power Factor	Weight
LED-89050-M2-UNV	LED Street Light	52	6,760	120-277	0.43 - 0.18	<15%	>0.95	25 lbs
LED-89060-M2-UNV	LED Street Light	62	8,060	120-277	0.52 - 0.22	<15%	>0.95	25 lbs
LED-89080-M2-UNV	LED Street Light	82	10,660	120-277	0.69 - 0.30	<15%	>0.95	25 lbs

SPECIFICATIONS

- Driver Constant Current
- Start Method InstantON
- Hot Re-start InstantON
- Driver UL Rating Class 1
- Driver UL Outdoor Rated Wet Location
- Sound Rating Class A
- ANSI Surge Protection IEEE C62.41 C High
- Current Crest Factor 1.5 maximum
- Load Regulation: 5% output current variation across load range
- Line Regulation: 1% output voltage variation across voltage range
- Driver Off-State Draw 0 Watts
- Vibration Compliance 3G
- Universal Input Line Voltage 120-277 VAC
- Input Line Frequency 50/60 Hz
- Projected (L70) @ 25°C > 100,000 hrs.
- Color Temperature Multiple (± 300°K)
- Color Rendering Index (CRI) > 80
- Minimum Starting Temperature -40°C
- Maximum Starting Temperature +50°C
- Lumens per Watt > 130
- Shock / Vibration Resistant Yes
- Power Factor > 0.95
- Total Harmonic Distortion < 15%
- Inrush Current Peak < 10 Amp
- FCC Compliance Part 15, Subp. C
- EPA Rating 0.58 ft.²
- Housing IP Rating IP65
- Driver IP Rating IP67
- Optics IP Rating IP68
- Warranty 10 Year

MOUNTING OPTIONS

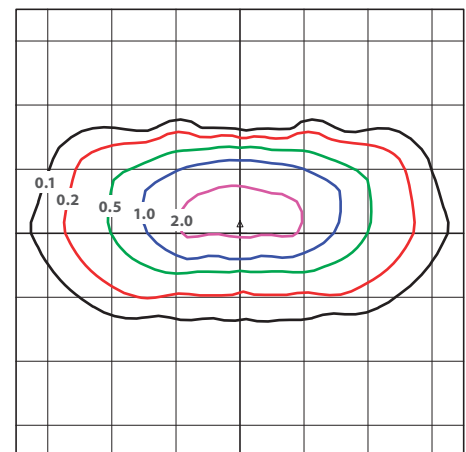
Accepts 1-1/4" - 2-3/4" O.D.
Tenon or Pipe



(2) Mounting Clamps
(4) Stainless Steel Fastening Bolts

Tool-Less Entry
Latch

PHOTOMETRICS (See Complete IES File)



Horizontal Footcandles
Scale: 1 Hash = 30 Ft.
Light Loss Factor = 1.00
Total Lamp Lumens = 10662.32
Mounting Height = 25.00 Ft., Tilt = 5 Degrees
Maximum Calculated Value = 2.65 Fc
Arrangement: Single

NEPTUN LIGHT, INC.
LED-89080-M2-UNV-850-T2

Neptun Light, Inc.
13950 Business Center Drive
Lake Forest, IL 60045
Fax: 847.735.8004

Neptun Light, Inc. reserves the right to change materials or modify the design of its product without notification as part of the company's continuing product improvement program.
©2002-2018 Neptun Light, Inc. All rights reserved.

Spec. Rev. 1-2018