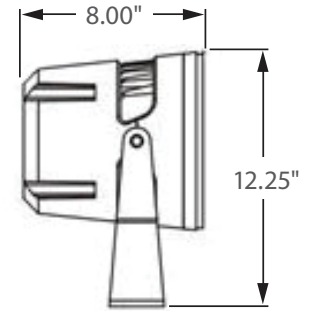
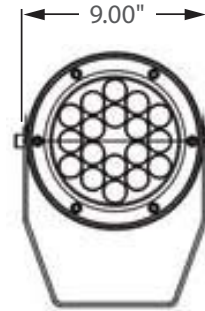




**** AVAILABLE ****
0 - 10V
FULL DIMMING



Incredible **100,000 hrs**

GENERAL DESCRIPTION

Neptun's LED Flood light fixtures feature architectural design and durability to make it an excellent choice for new construction or retrofit applications. The LED-66 series fixtures feature high output LED's and custom engineered optics to provide excellent uniformity and efficiency. It can replace existing HID & HPS fixtures up to 175 Watts.

APPLICATION

- Building Accent Lighting
- Landscape Lighting
- Security Lighting
- Sign Lighting
- Spot Lighting
- Area Lighting

STRUCTURE, MATERIALS, & FEATURES

- Heavy-gauge, die-cast aluminum housing.
- Heat and impact resistant tempered glass lens with anti-glare diffuser.
- Corrosion resistant electrocoat grey finish (custom colors available).
- Continuous silicone gasket surrounds lens for weather - tight seal.
- Correlated Color Temperature of (5000°K) for greater visibility and safety.
- Adjustable yoke bracket mounting included.
- High Output COB LED's.
- High power factor, low THD driver with 6kV/3kA surge protection.
- InstantON flicker-free Cold Start and Hot Re-Start.
- Up to 15 years Maintenance free operation.
- 5 Year Warranty on complete fixture. (LED's, Driver, & Housing)
- **Optional:** 0-10V Dimming, Remote Monitoring and ON/ OFF Control, DC 24V Operation - Solar Compatible

ORDERING INFORMATION

Sample Number: LED-66060-UNV-0-10VDIM-850-B30-GRY
 Custom options and accessories available. Please consult factory

Series	Wattage	Voltage	Options	Color Temp	Beam Spread	Color
LED-66 = Flood Light	060 = 60 W 080 = 80 W	UNV = 120-277 VAC 24VDC = 24 VDC	0-10VDIM = 0-10V Dimming * Contact Factory for Dimming options	835 = 3500°K 841 = 4100°K 850 = 5000°K* * Standard	B30 = 30° Beam	GRY = Grey * Custom Colors Available



lightinnovations@work™

PRODUCT INFORMATION

Model No.	Description	Rated Watts	Input Watts	Delivered Lumens	Universal Line Voltage (VAC)	Max Line Current (Amp) @ 120 - 277	THD	Power Factor	Weight
LED-66060-UNV	LED Flood Fixture	60	62	5,100	120-277	0.52 - 0.22	<20%	>0.90	8 lbs
LED-66080-UNV	LED Flood Fixture	80	82	6,800	120-277	0.69 - 0.30	<20%	>0.90	8 lbs

SPECIFICATIONS

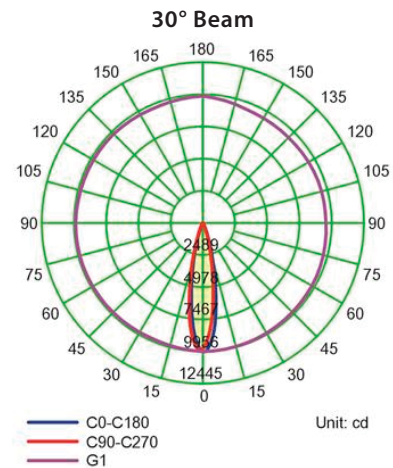
- Driver Constant Current
- Start Method InstantON
- Hot Re-start InstantON
- Power Supply 350mA
- Driver UL Rating Class 1
- Driver UL Outdoor Rated Wet Location
- Sound Rating Class A
- ANSI Surge Protection IEEE C62.41 C High
- Driver Off-State Draw 0 Watts
- Universal Input Line Voltage 120-277 VAC
- Input Line Frequency 50/60 Hz
- Projected (L70) @ 25°C > 100,000 hrs.
- Color Temperature 5,000°K
- Color Rendering Index (CRI) > 80
- Beam Angle 30°
- Minimum Starting Temperature -40°C
- Maximum Starting Temperature +50°C
- Lumens per Watt > 80
- Shock / Vibration Resistant Yes
- Power Factor > 0.90
- Total Harmonic Distortion < 20%
- Inrush Current Peak < 10 Amp
- FCC Compliance Part 15, Subp. C
- Housing IP Rating IP66
- Driver IP Rating IP67
- Warranty 5 Year

MOUNTING OPTIONS

Adjustable Yoke Mount



PHOTOMETRICS (See Complete IES File)



Neptun Light, Inc.
13950 Business Center Drive
Lake Forest, IL 60045
Fax: 847.735.8004

Neptun Light, Inc. reserves the right to change materials or modify the design of its product without notification as part of the company's continuing product improvement program.
©2002-2016 Neptun Light, Inc. All rights reserved.

Spec. Rev. 7-2016