

**\*\* AVAILABLE \*\***

|                  |                |                         |
|------------------|----------------|-------------------------|
| Bi-Level<br>100% | Dimming<br>50% | 0 - 10V<br>FULL DIMMING |
|------------------|----------------|-------------------------|

Incredible **100,000** hrs

### GENERAL DESCRIPTION

Neptun's LED Semi Cut-Off Wall Pack fixtures feature classic form and durability to make it an excellent choice for new construction or retrofit applications. LED-21 series fixtures feature high output LED's and custom engineered optics to provide excellent uniformity and efficiency. It can replace existing HID & HPS fixtures up to 250 Watts.

### APPLICATION

- Building Accent Lighting
- Landscape Lighting
- Security Lighting
- Parking Lot Lighting
- Area Lighting
- Storage Area Lighting
- Stairwell Lighting
- Passageway Lighting

### STRUCTURE, MATERIALS, & FEATURES

- Heavy-gauge, die-cast aluminum housing.
- Heat and impact resistant flat glass lens.
- Corrosion resistant electrocoat dark bronze finish (custom colors available).
- Hinged aluminum door frame incorporates stainless steel hardware.
- Continuous silicone gasket surrounds lens for weather - tight seal.
- High Output COB LED's with borosilicate glass lens optics.
- High power factor, low THD driver with 6kV/3kA surge protection.  
Optional 20kV/10kA surge protector available.
- InstantON flicker-free Cold Start and Hot Re-Start.
- Up to 20 years Maintenance free operation.
- 5 Year Warranty on complete fixture. (LED's, Driver, & Housing)
- **Optional:** Bi-Level Dimming, 0-10V Dimming, Remote Monitoring and ON/ OFF Control, DC 24V Operation - Solar Compatible

### ORDERING INFORMATION

Sample Number: LED-21080SCT-UNV-0-10VDIM-850-LD-120V-BRZ  
Custom options and accessories available. Please consult factory

| Series             | Wattage                   | Lens                    | Voltage  | Options   | Color Temp  | Accessories   | Color                                     |
|--------------------|---------------------------|-------------------------|--|---|---|---|---|
| LED-21 = Wall Pack | 080 = 80 W<br>100 = 100 W | SCT = Semi Cut-Off Type | UNV = 120-277 VAC<br>347V = 347 VAC<br>480V = 480 VAC<br>24VDC = 24VDC | 0-10VDIM = 0-10V Dimming<br>BL-DIM = Bi-Level Dimming *<br>* Includes Motion Sensor<br>** Contact Factory for dimming options | 830 = 3000°K<br>835 = 3500°K<br>841 = 4100°K<br>850 = 5000°K<br>AMB = Amber (585-595nm) | LD-120V = Photocell 120VAC<br>LD-277V = Photocell 277VAC<br>MD = Motion Sensor ON/OFF<br>SP = 20kV/10kA surge protector | BRZ = Bronze<br>* Custom Colors Available |



lightinnovations@work™

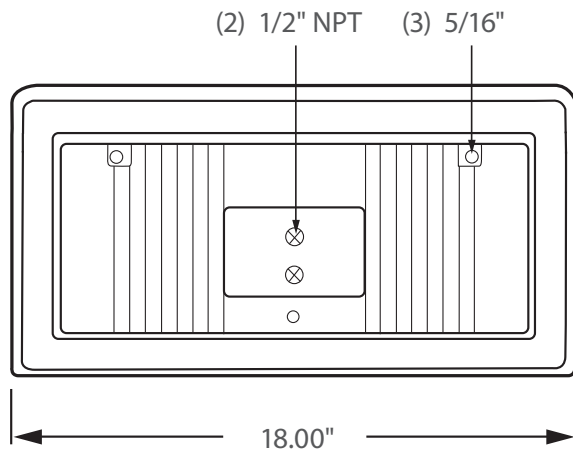
### PRODUCT INFORMATION

| Model No.        | Description              | Input Watts | Delivered Lumens | Universal Line Voltage (VAC) | Max Line Current (Amp) @ 120 - 277 | THD  | Power Factor | Weight |
|------------------|--------------------------|-------------|------------------|------------------------------|------------------------------------|------|--------------|--------|
| LED-21080SCT-UNV | Wall Pack - Semi Cut-Off | 82          | 9,070            | 120-277                      | 0.69 - 0.30                        | <15% | >0.95        | 20 lbs |
| LED-21100SCT-UNV | Wall Pack - Semi Cut-Off | 102         | 11,420           | 120-277                      | 0.87 - 0.37                        | <15% | >0.95        | 20 lbs |

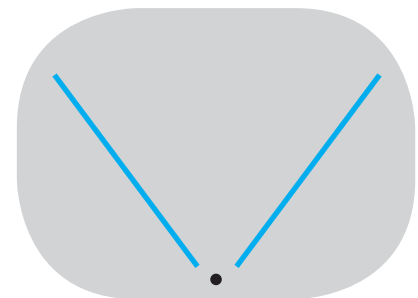
### SPECIFICATIONS

- Driver ..... Constant Current
- Start Method ..... InstantON
- Hot Re-start ..... InstantON
- Driver UL Rating ..... Class 1
- Driver UL Outdoor Rated ..... Wet Location
- Sound Rating ..... Class A
- ANSI Surge Protection ..... IEEE C62.41 C High
- Driver Off-State Draw ..... 0 Watts
- Universal Input Line Voltage ..... 120-277 VAC
- Input Line Frequency ..... 50/60 Hz
- Projected (L70) @ 25°C ..... > 100,000 hrs.
- Color Temperature ..... Multiple (± 300°K)
- Color Rendering Index (CRI) ..... > 80
- Minimum Starting Temperature ..... -40°C
- Maximum Starting Temperature ..... +50°C
- Lumens per Watt ..... > 110
- Shock / Vibration Resistant ..... Yes
- Power Factor ..... > 0.95
- Total Harmonic Distortion ..... < 15%
- Inrush Current Peak ..... < 10 Amp
- FCC Compliance ..... Part 15, Subp. C
- ETL Listed / UL Standard 1598 ..... Yes
- Housing IP Rating ..... IP65
- Driver IP Rating ..... IP67
- Warranty ..... 5 Year

### MOUNTING OPTIONS



### PHOTOMETRICS (See Complete IES File)



Type IV Distribution

Neptun Light, Inc.  
 13950 Business Center Drive  
 Lake Forest, IL 60045  
 Fax: 847.735.8004

Neptun Light, Inc. reserves the right to change materials or modify the design of its product without notification as part of the company's continuing product improvement program.  
 ©2002-2018 Neptun Light, Inc. All rights reserved. Spec. Rev. 1-2018