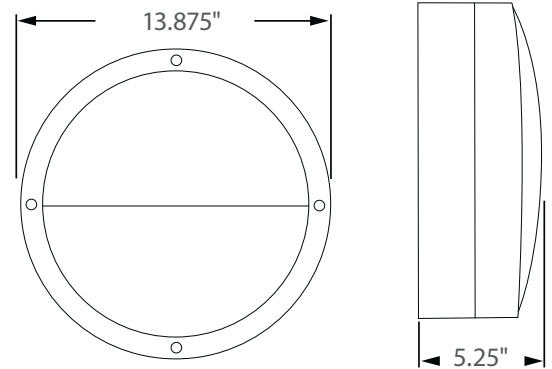




**** AVAILABLE ****
0 - 10V
FULL DIMMING



Incredible **100,000 hrs**

GENERAL DESCRIPTION

Neptun's LED round bulk head fixtures feature architectural design and durability to fit new construction and retrofit applications. Neptun's LED bulk head fixtures feature high output LED's and custom engineered optics to provide excellent uniformity and efficiency. They can replace existing HID & HPS fixtures up to 100W.

APPLICATION

- Building Accent Lighting
- Landscape Lighting
- Security Lighting
- Area Lighting
- Stairwell Lighting
- Passageway Lighting

STRUCTURE, MATERIALS, & FEATURES

- Heavy-gauge, die-cast aluminum housing.
- High efficiency, heat and impact resistant, UV protected, non yellowing polycarbonate lens / refractor.
- Corrosion resistant electrocoat bronze finish (custom colors available).
- Easy removal lens with (4) stainless steel screws.
- Continuous silicone gasketing surrounds lens for weather - tight seal.
- High Output COB LED's.
- High power factor, low THD driver with 6kV/3kA surge protection.
- InstantON flicker-free Cold Start and Hot Re-Start.
- Up to 20 years Maintenance free operation.
- 5 Year Warranty on complete fixture. (LED's, Driver, & Housing)
- **Optional:** 0-10V Dimming, Remote Monitoring and ON/ OFF Control, DC 24V Operation - Solar Compatible

ORDERING INFORMATION

Sample Number: LED-204040-UNV-0-10VDIM-850-LD-120V-BRZ
 Custom options and accessories available. Please consult factory

Series	Wattage	Voltage	Options	Color Temp	Accessories	Color
LED-204 = Bulk Head	040 = 40 W	UNV = 120-277 VAC 24VDC = 24V DC	0-10VDIM = 0-10V Dimming * Contact Factory for dimming options	830 = 3000°K 835 = 3500°K 841 = 4100°K 850 = 5000°K AMB = Amber (585-595nm)	LD-120V = Swivel Photocell - 120V LD-277V = Swivel Photocell - 277VAC	BRZ = Dark Bronze * Custom Colors Available



lightinnovations@work™

PRODUCT INFORMATION

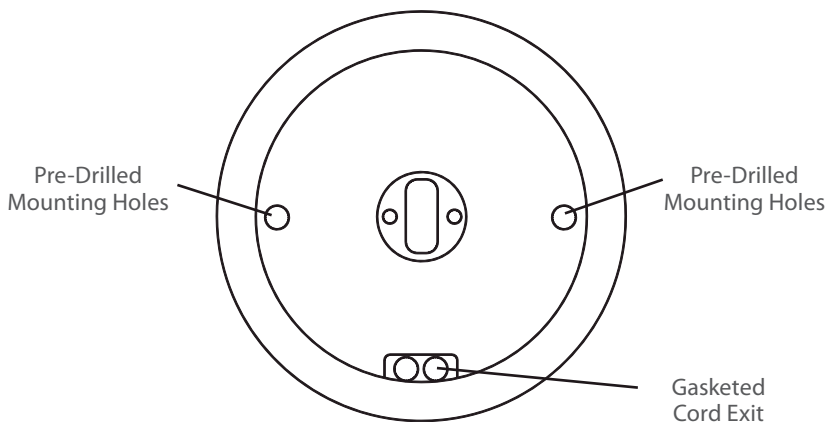
Model No.	Description	Input Watts	Delivered Lumens	Universal Line Voltage (VAC)	Max Line Current (Amp) @ 120 - 277	THD	Power Factor	Weight
LED-204040-UNV	LED Bulk Head Fixture	41	3,690	120-277	0.34-0.15	<15%	>0.95	4 lbs

SPECIFICATIONS

- Driver Constant Current
- Start Method InstantON
- Hot Re-start InstantON
- Driver UL Rating Class 1
- Driver UL Outdoor Rated Wet Location
- Sound Rating Class A
- ANSI Surge Protection IEEE C62.41 C High
- Driver Off-State Draw 0 Watts
- Universal Input Line Voltage 120-277 VAC
- Input Line Frequency 50/60 Hz
- Projected (L70) @ 25°C > 100,000 hrs.
- Color Temperature Multiple (± 300°K)
- Color Rendering Index (CRI) > 80
- Minimum Starting Temperature -40°C
- Maximum Starting Temperature +50°C
- Lumens per Watt > 90
- Shock / Vibration Resistant Yes
- Power Factor > 0.95
- Total Harmonic Distortion < 15%
- Inrush Current Peak < 10 Amp
- FCC Compliance Part 15, Subp. C
- Housing IP Rating IP65
- Driver IP Rating IP67
- Warranty 5 Year

MOUNTING OPTIONS

Surface Mount



Neptun Light, Inc.
 13950 Business Center Drive
 Lake Forest, IL 60045
 Fax: 847.735.8004

Neptun Light, Inc. reserves the right to change materials or modify the design of its product without notification as part of the company's continuing product improvement program.
 ©2002-2018 Neptun Light, Inc. All rights reserved.

Spec. Rev. 1-2018