

Incredible **100,000 hrs**

GENERAL DESCRIPTION

Neptun's 18" Induction Semi Cut-Off Wall Pack fixtures feature classic form and durability to make it an excellent choice for new construction or retrofit applications. Neptun's Induction Wall Pack fixtures feature a high CRI and bright white 5000°K color temperature for increased safety and security. It can replace existing HID fixtures up to 400W.

APPLICATION

- Building Accent Lighting
- Landscape Lighting
- Security Lighting
- Parking Lot Lighting
- Area Lighting
- Storage Area Lighting

STRUCTURE, MATERIALS, & FEATURES

- Heavy-gauge, die-cast aluminum housing.
- Custom designed anodized aluminum reflectors for superior illuminance.
- Heat and impact resistant flat frosted glass lens.
- Corrosion resistant electrocoat dark bronze finish (custom colors available).
- Hinged aluminum door frame incorporates stainless steel hardware.
- Continuous silicone gasketing surrounds lens for weather - tight seal.
- Inductively coupled rectangular induction bulb.
- High power factor, low THD electronic ballast with surge protection.
- Instant-On flicker-free Cold Start and Hot Re-Start.
- High quality glare-free light with high CRI above (83).
- Bright white light (5000°K) for greater visibility and safety.
- Advance phosphors for high lumen output and high lumen maintenance.
- Up to 20 year maintenance free operation.
- 10 Year Warranty.
- **Optional:** DC 24V Operation - Solar Compatible

ORDERING INFORMATION

Sample Number: 21080SCT-UNV-850-LD-120V-BRZ
 Custom options and accessories available. Please consult factory

Series	Wattage	Lens Type	Voltage	Color Temp	Accessories	Color
21 = Wall Pack	080 = 80 W 100 = 100 W 120 = 120 W 150 = 150 W 200 = 200 W	SCT = Semi Cut-Off	UNV = 120-277 VAC 24VDC = 24V DC * * Only Available up to 100W	830 = 3000°K 841 = 4100°K 850 = 5000°K * * Standard	LD-120V = Photocell - 120V LD-277V = Photocell - 277V MD = Motion Sensor	BRZ = Dark Bronze * Custom Colors Available



lightinnovations@work™

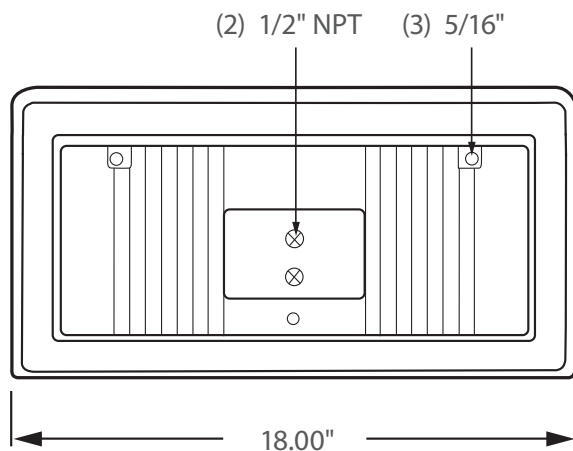
PRODUCT INFORMATION

Model No.	Description	Rated Watts	Input Watts	Initial Lumens	Universal Line Voltage (VAC)	Max Line Current (Amp) @ 120 - 277	THD	Power Factor	Weight
21080SCT-UNV	Wall Pack - Semi Cut-Off	80	82	6,400	120-277	0.69-0.30	<10%	0.98	20 lbs
21100SCT-UNV	Wall Pack - Semi Cut-Off	100	105	8,000	120-277	0.87-0.37	<10%	0.98	20 lbs
21120SCT-UNV	Wall Pack - Semi Cut-Off	120	125	9,600	120-277	1.05-0.45	<10%	0.98	20 lbs
21150SCT-UNV	Wall Pack - Semi Cut-Off	150	158	12,000	120-277	1.31-0.56	<10%	0.98	23 lbs
21200SCT-UNV	Wall Pack - Semi Cut-Off	200	210	16,000	120-277	1.74-0.75	<10%	0.98	23 lbs

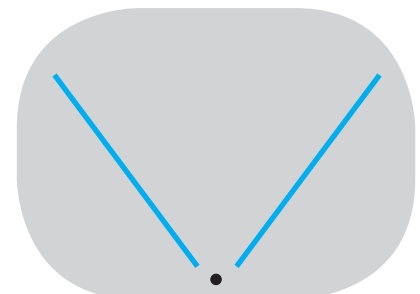
SPECIFICATIONS

- Ballast Type Electronic
- Start Method InstantON
- Hot Re-start InstantON
- Universal Input Line Voltage 120-277 VAC
- Input Line Frequency 50/60 Hz
- Lamp Operating Frequency 250 kHz
- Ballast Off-State Draw 0 Watts
- Sound Rating Class A
- ANSI Surge Protection Class A
- Lamp / Ballast System Life 100,000 Hrs.
- Lumen Maintenance @75,000Hrs > 70%
- Color Temperature 5000°K
- Color Rendering Index (CRI) 83
- Minimum Starting Temperature -20°F
- Maximum Starting Temperature 160°F
- Lumens per Watt 80
- Shock / Vibration Resistant Yes
- Power Factor > 0.98
- Total Harmonic Distortion < 10%
- Inrush Current Peak < 10 Amp
- ETL Listed / UL Standard 1598 Yes
- FCC Compliance Part 18, Subp. C
- IP Rating IP65
- Warranty 10 Year

MOUNTING OPTIONS



PHOTOMETRICS (See Complete IES File)



Type IV Distribution

Neptun Light, Inc.
 13950 Business Center Drive
 Lake Forest, IL 60045
 Fax: 847.735.8004

Neptun Light, Inc. reserves the right to change materials or modify the design of its product without notification as part of the company's continuing product improvement program.
 ©2002-2016 Neptun Light, Inc. All rights reserved. Spec. Rev. 4-2016