

Incredible **100,000 hrs**

GENERAL DESCRIPTION

Neptun's Induction cobra head fixture combines classic form and versatility to make it an excellent choice for new construction or retrofit applications. The 82 series fixture is offered in a variety of wattages to provide maximum flexibility in all types of applications. It can replace existing HID & HPS fixtures up to 250W.

APPLICATION

- Street Lighting
- Walkway Lighting
- Parking Lot Lighting
- Storage Area Lighting
- Security Lighting

STRUCTURE, MATERIALS, & FEATURES

- Heavy-gauge, die-cast aluminum housing.
- Custom designed anodized aluminum reflectors for superior illuminance.
- Heat and impact resistant tempered glass lens.
- Corrosion resistant electrocoat grey finish (custom colors available).
- Toolless entry housing for easy installation and maintenance.
- Hinged aluminum door frame incorporates stainless steel hardware.
- Continuous silicone gasketing surrounds lens for weather - tight seal.
- Inductively coupled rectangle induction bulb.
- High power factor, low THD Ballast with surge protection.
- Instant-On flicker-free Cold Start and Hot Re-Start.
- High quality glare-free light with high CRI above (83).
- Bright white light (5000°K) for greater visibility and safety.
- Advance phosphors for high lumen output and high lumen maintenance.
- Up to 20 year maintenance free operation with 10 Year Warranty.
- **Optional:** DC 24V Operation - Solar Compatible

ORDERING INFORMATION

Sample Number: 82040-UNV-850-LD-GRY
Custom options and accessories available. Please consult factory

Series	Wattage	Voltage	Color Temp	Accessories	Color
82 = Street Light	040 = 40 W 080 = 80 W 100 = 100 W 120 = 120 W	UNV = 120-277 VAC 24VDC = 24V DC * * Only available up to 100W	830 = 3000°K 841 = 4100°K 850 = 5000°K * * Standard	LD = NEMA Twist-Lock Photocell	GRY = Grey * Custom Colors Available



lightinnovations@work™

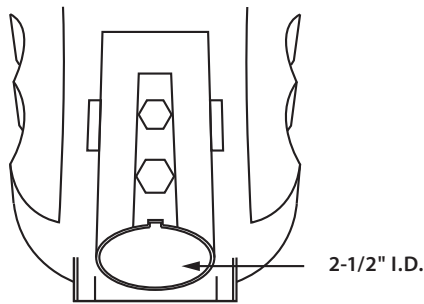
PRODUCT INFORMATION

Model No.	Description	Rated Watts	Input Watts	Initial Lumens	Universal Line Voltage (VAC)	Max Line Current (Amp) @ 120 - 277	THD	Power Factor	Weight
82040-UNV	Cobra Head Fixture	40	41	3,200	120-277	0.35-0.15	<10%	0.98	18 lbs
82080-UNV	Cobra Head Fixture	80	82	6,400	120-277	0.69-0.30	<10%	0.98	20 lbs
82100-UNV	Cobra Head Fixture	100	105	8,000	120-277	0.87-0.37	<10%	0.98	20 lbs
82120-UNV	Cobra Head Fixture	120	125	9,600	120-277	1.05-0.45	<10%	0.98	20 lbs

SPECIFICATIONS

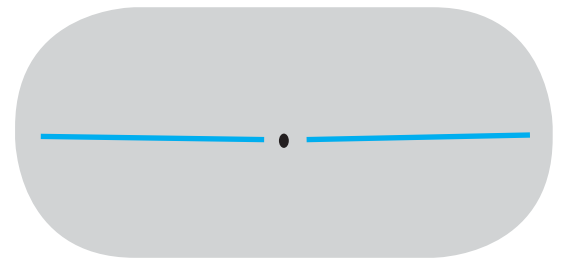
- Ballast Type Electronic
- Start Method InstantON
- Hot Re-start InstantON
- Universal Input Line Voltage 120-277 VAC
- Input Line Frequency 50/60 Hz
- Lamp Operating Frequency 250 kHz
- Ballast Off-State Draw 0 Watts
- Sound Rating Class A
- ANSI Surge Protection Class A
- Lamp / Ballast System Life 100,000 Hrs.
- Lumen Maintenance @75,000Hrs > 70%
- Color Temperature 5000°K
- Color Rendering Index (CRI) 83
- Minimum Starting Temperature -20°F
- Maximum Starting Temperature 160°F
- Lumens per Watt 80
- Shock / Vibration Resistant Yes
- Power Factor > 0.98
- Total Harmonic Distortion < 10%
- Inrush Current Peak < 10 Amp
- ETL Listed / UL Standard 1598 Yes
- FCC Compliance Part 18, Subp. C
- EPA Rating 1.69
- IP Rating IP65
- Warranty 10 Year

MOUNTING OPTIONS



Accepts 1-1/4" - 2-3/8" Round Pipe

PHOTOMETRICS (See Complete IES File)



Type II Distribution

Neptun Light, Inc.
 13950 Business Center Drive
 Lake Forest, IL 60045
 Fax: 847.735.8004

Neptun Light, Inc. reserves the right to change materials or modify the design of its product without notification as part of the company's continuing product improvement program.
 ©2002-2016 Neptun Light, Inc. All rights reserved. Spec. Rev. 4-2016