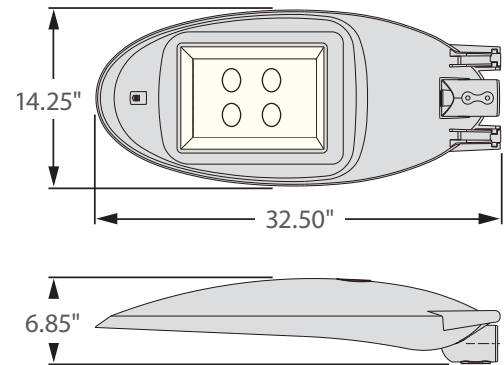




**\*\* AVAILABLE \*\***  
**0 - 10V**  
**FULL DIMMING**



Incredible **100,000 hrs**

## GENERAL DESCRIPTION

Neptun's LED street light fixtures combine architectural form and versatility to make it an excellent choice for new construction or retrofit applications. The LED-882 series fixture is offered in a variety of wattages to provide maximum flexibility in all types of applications. The High output LED's and custom engineered optics provide excellent uniformity and efficiency. It can replace existing HID & HPS Street Light fixtures up to 250W.

## APPLICATION

- Street Lighting
- Walkway Lighting
- Area Lighting
- Security Lighting

## STRUCTURE, MATERIALS, & FEATURES

- Heavy-gauge, die-cast aluminum housing with concealed cooling fins.
- Corrosion resistant electrocoat finish (custom colors available).
- Slim, state of the art, low profile design for minimum wind load resistance.
- Continuous silicone gasket surrounds lens for IP68 weather tight seal.
- Optional NEMA Twistlock Photocell for increased energy savings.
- Tool-Less entry housing w/ quick disconnect for easy installation.
- Internal Bubble Level for easy installation.
- High Output COB LED's with borosilicate glass lens optics.
- High power factor, low THD driver with 6kV/3kA surge protection.  
 Optional 20kV/10kA surge protector available.
- InstantON flicker-free Cold Start and Hot Re-Start.
- Up to 20 years Maintenance free operation.
- 10 Year Warranty on complete fixture. (LED's, Driver, & Housing)
- **Optional:** 0-10V Dimming, Wi-Fi Control, Remote Monitoring and ON/ OFF Control, DC 24V Operation - Solar Compatible

## ORDERING INFORMATION

Sample Number: LED-882100-L4-UNV-0-10VDIM-850-LD-GRY  
 Custom options and accessories available. Please consult factory

Series	Wattage	Voltage	Options	CCT	Accessories	Optics	Color
LED-882 = Street Light	100-L4 = 100 W 110-L4 = 110 W 120-L4 = 120 W	UNV = 120-277 VAC 347V = 347 VAC 480V = 480 VAC 24VDC = 24 VDC * * Offered in 100W only	0-10VDIM = 0-10V Dimming * Contact factory for dimming options	830 = 3000°K 835 = 3500°K 841 = 4100°K 850 = 5000°K AMB = Amber (585-595nm)	LD = NEMA Twist-Lock Photocell & Receptacle LDR-3P = 3Pin Photocell Receptacle LDR-7P = 7Pin Photocell Receptacle SP = 20kV/10kA surge protector HSGS = House Side Glare Shield LGN = Light Genie Node * * Contact factory for product Information	T2 = Type 2 T2N = Type 2N	GRY = Grey BRZ = Bronze * Custom Colors Available



lightinnovations@work™

## PRODUCT INFORMATION

Model No.	Description	Input Watts	Delivered Lumens	Universal Line Voltage (VAC)	Max Line Current (Amp) 120 - 277	THD	Power Factor	Weight
LED-882100-L4-UNV	Street Light Fixture	102	13,260	120-277	0.87 - 0.37	<15%	>0.95	25 lbs
LED-882110-L4-UNV	Street Light Fixture	112	14,560	120-277	0.96 - 0.41	<15%	>0.95	25 lbs
LED-882120-L4-UNV	Street Light Fixture	122	15,860	120-277	1.02 - 0.45	<15%	>0.95	25 lbs

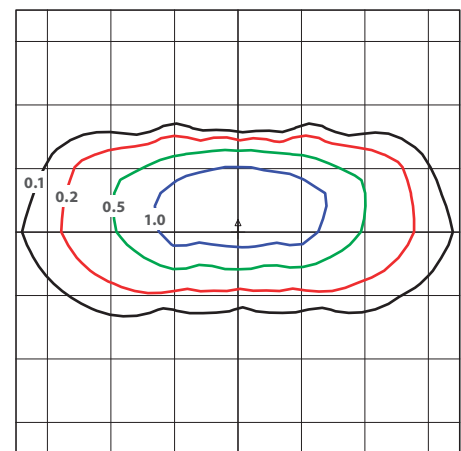
## SPECIFICATIONS

- Driver ..... Constant Current
- Start Method ..... InstantON
- Hot Re-start ..... InstantON
- Driver UL Rating ..... Class 1
- Driver UL Outdoor Rated ..... Wet Location
- Sound Rating ..... Class A
- ANSI Surge Protection ..... IEEE C62.41 C High
- Current Crest Factor ..... 1.5 maximum
- Load Regulation: 5% output current variation across load range
- Line Regulation: 1% output voltage variation across voltage range
- Driver Off-State Draw ..... 0 Watts
- Vibration Compliance ..... 3G
- Universal Input Line Voltage ..... 120-277 VAC
- Input Line Frequency ..... 50/60 Hz
- Projected (L70) @ 25°C ..... > 100,000 hrs.
- Color Temperature ..... Multiple ( $\pm 300^{\circ}\text{K}$ )
- Color Rendering Index (CRI) ..... > 80
- Minimum Starting Temperature .....  $-40^{\circ}\text{C}$
- Maximum Starting Temperature .....  $+50^{\circ}\text{C}$
- Lumens per Watt ..... > 130
- Shock / Vibration Resistant ..... Yes
- Power Factor ..... > 0.95
- Total Harmonic Distortion ..... < 15%
- Inrush Current Peak ..... < 10 Amp
- FCC Compliance ..... Part 15, Subp. C
- EPA Rating ..... 0.50 ft.<sup>2</sup>
- Housing IP Rating ..... IP65
- Driver IP Rating ..... IP67
- Optics IP Rating ..... IP68
- Warranty ..... 10 Year

## MOUNTING OPTIONS



## PHOTOMETRICS (See Complete IES File)



Horizontal Footcandles  
 Scale: 1 Hash = 35 Ft.  
 Light Loss Factor = 1.00  
 Total Lamp Lumens = 13294.08  
 Mounting Height = 35.00 Ft., Tilt = 5 Degrees  
 Maximum Calculated Value = 1.56 Fc  
 Arrangement: Single

NEPTUN LIGHT, INC.  
 LED-882100-L4-UNV-850

Neptun Light, Inc.  
 13950 Business Center Drive  
 Lake Forest, IL 60045  
 Fax: 847.735.8004

Neptun Light, Inc. reserves the right to change materials or modify the design of its product without notification as part of the company's continuing product improvement program.  
 ©2002-2018 Neptun Light, Inc. All rights reserved.

Spec. Rev. 1-2018