



FIXTURE MOUNTING:

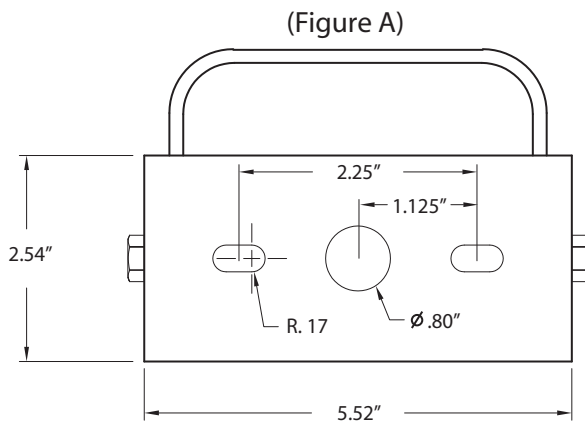
- A.) Disconnect power supply and remove existing fixture (if applicable).
- B.) The fixture will be supplied with the desired adapter and whip / power cord already fixed to the housing.
Yoke Bracket (YK) or Slip Fitter (SF)
- C.) Mount fixture to pole.

Yoke Bracket (Yoke Bracket (YK) should be adjusted to desired angle before mounting)

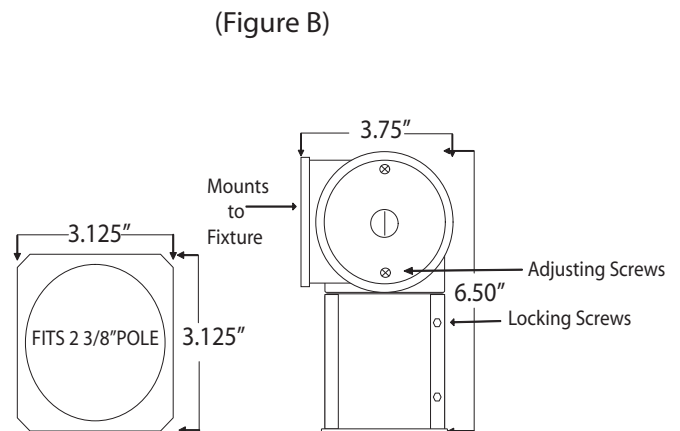
- 1.) Drill bolt pattern into existing pole according to (Figure A)
- 2.) Loosen nuts and remove washers and lock washers from the Yoke Bracket.
- 3.) Slip the (2) bolts through the drilled holes, making sure the whip/power cord is pulled through the middle hole and through the pole.
- 4.) Replace lock washers, washers, and nuts, then tighten from inside the pole.
- 5.) Wire the whip/power cord to the existing power source.

Slip Fitter (Slip Fitter (SF) should be adjusted to desired angle before mounting)

- 1.) Wire the whip/power cord to the existing power source.
- 2.) Lower fixture over the tenon making sure not to pinch wires between the slip fitter & tenon.
- 3.) Tighten the (2) locking screws located on the side of the slip fitter mount, securing the slip fitter to the pole. (Figure B)

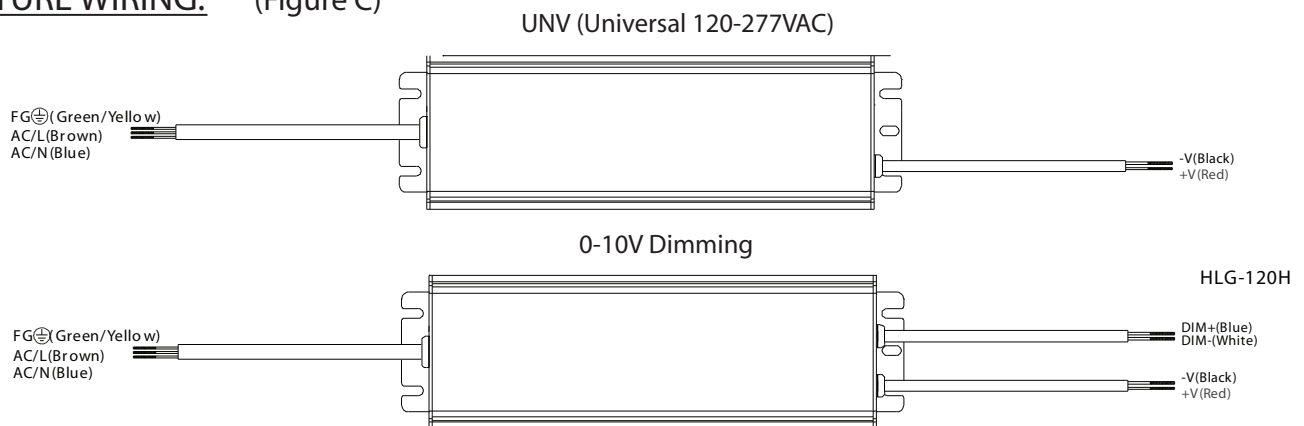


(Yoke Bracket Mounting Dimensions)



(Slip Fitter Mounting Dimensions)

FIXTURE WIRING: (Figure C)



CAUTION!

DISCONNECT POWER SUPPLY BEFORE INSTALLATION OR MAINTENANCE.
INSTALLATION OF THIS PRODUCT SHOULD BE DONE BY A FULLY QUALIFIED AND
LICENSED ELECTRICIAN OR TECHNICIAN.