

Dimensions in inches

Product Type	A(max.)	B(max.)	C(max.)
20W (4')	47.8"	47.4"	47.22"

Incredible **70,000** hrs

GENERAL DESCRIPTION

Neptun's high performance LED T8 retrofits are designed for the replacement of existing T8 fluorescent lighting systems. The LED-RK88 series system is offered in a variety of color temperatures for flexibility in all types of applications. The frosted lens allows for an evenly illuminated glow resembling existing fluorescent tubes. Very low temperature operation saves on HVAC costs and long life greatly reduces maintenance costs. The LED driver wires the same as Instant Start T8 ballasts for fast and easy installation.

APPLICATION


- Office Lighting
- School Lighting
- Healthcare Lighting
- Storage Lighting

STRUCTURE, MATERIALS, & FEATURES

- Aluminum backing for excellent thermal management.
- Frosted non yellowing polycarbonate lens for even glow. (Glare Free)
- Correlated Color Temperatures of 3500°K, 4100°K, & 5000°K.
- 360 PCS High Output LED's.
- High power factor, low THD driver.
- InstantON flicker-free Cold Start and Hot Re-Start.
- Up to 15 years Maintenance free operation.
- Mercury free design.
- No radiated EMI interference.
- 5 Year Warranty.
- **Optional:** 0-10V Dimming, Remote Monitoring and ON/ OFF Control, Emergency Battery Backup System

ORDERING INFORMATION

Sample Number: LED-RK88020-2L-UNV-841-R17D
 Custom options and accessories available. Please consult factory

Series	Wattage	Driver	Voltage	Options	Color Temp.	Options
LED-RK88 = T8 Retrofit Kit	020 = 20 W	1L = 1 Lamp System w/ Driver 2L = 2 Lamp System w/ Driver 3L = 3 Lamp System w/ Driver 4L = 4 Lamp System w/ Driver	UNV = 120-277 VAC UNV-0-10VDIM = 0-10V Dimming * Contact Factory for dimming options	EM-BB = Emergency Battery Backup System	835 = 3500°K 841 = 4100°K 850 = 5000°K	R17D = Recessed Double Contact Caps 



PRODUCT INFORMATION

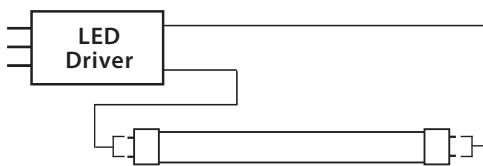
Model No.	Watts	Input Line Current (Amp) @ 120 - 277	Power Factor	THD	Color Temp. CCT (°K)	CRI	Lumens	Lm/W	Nominal Length (Inch)	Base	Beam Angle
LED-RK88020-UNV-835	20	0.174-0.075	>0.90	<20%	3,500°	>80	2,000	100	48"	G13	120°
LED-RK88020-UNV-841	20	0.174-0.075	>0.90	<20%	4,100°	>80	2,040	102	48"	G13	120°
LED-RK88020-UNV-850	20	0.174-0.075	>0.90	<20%	5,000°	>80	2,080	104	48"	G13	120°

SPECIFICATIONS

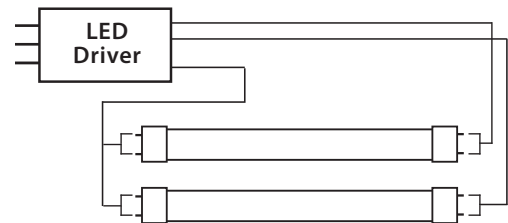
- LED Driver Constant Current
- Power Supply 350mA
- Start Method InstantON
- Hot Re-start InstantON
- Driver Line Voltage 120-277 VAC
- Lamp Voltage 36-42 VDC
- Input Line Frequency 50/60 Hz
- Driver Off-State Draw 0 Watts
- Sound Rating Class A
- LED / Driver System Life 70,000 Hrs.
- Lumen Maintenance @50,000Hrs > 70%
- Color Temperature Various
- Color Rendering Index (CRI) > 80
- Minimum Starting Temperature -20°C
- Maximum Starting Temperature 50°C
- Lumens per Watt > 100
- Shock / Vibration Resistant Yes
- Power Factor > 0.90
- Total Harmonic Distortion < 20%
- ETL Listed / UL Standard 1993 Yes
- FCC Compliance Part 15, Subp. C
- Warranty 5 Year

WIRING DIAGRAM (See Complete Installation Instructions)

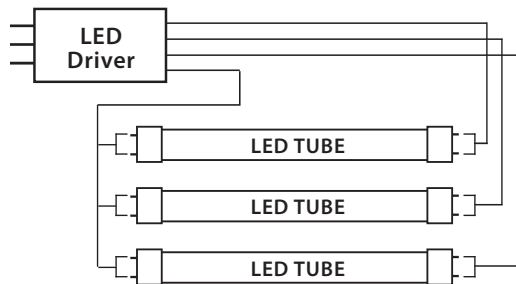
1 Lamp T8 System



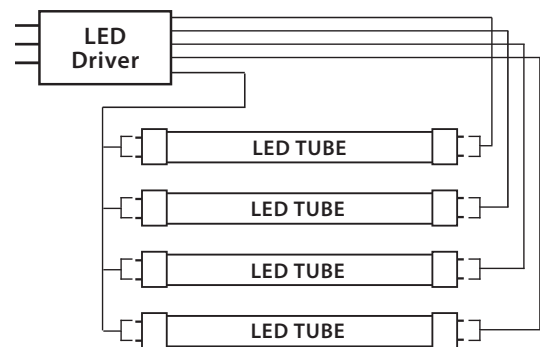
2 Lamp T8 System



3 Lamp T8 System



4 Lamp T8 System



Neptun Light, Inc.
13950 Business Center Drive
Lake Forest, IL 60045
Fax: 847.735.8004

Neptun Light, Inc. reserves the right to change materials or modify the design of its product without notification as part of the company's continuing product improvement program.
©2002-2016 Neptun Light, Inc. All rights reserved.

Spec. Rev. 7-2015