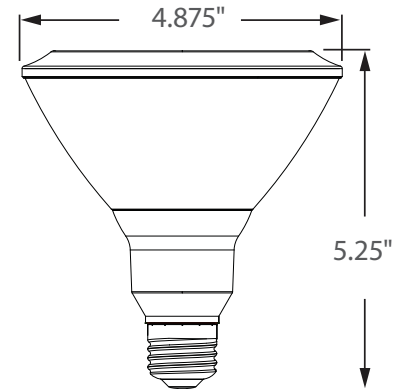




Operates on
120-277 VAC



Incredible **25,000** hrs

GENERAL DESCRIPTION

Neptun's high performance LED Par38 bulbs are designed for the replacement of existing incandescent or halogen bulbs up to 75W. The LED-938 series bulbs are offered in a variety of color temperatures for flexibility in all types of applications. Its universal operating voltage allows for use in 120V or 277V applications.

APPLICATION

- Suitable for use in outdoor and indoor environments
- Not for use in fully enclosed fixtures
- Not for use where directly exposed to water

STRUCTURE, MATERIALS, & FEATURES

- Fin-less design with excellent thermal management.
- Flat polycarbonate shatterproof lens. (Glare Free)
- Wide variety of Correlated Color Temperatures.
- High Luminous Efficacy: > 60 Lm/W
- Environmental Friendly - mercury and lead free.
- Up to 15 years Maintenance free operation.
- Integrated high efficiency driver.
- High Output COB LED's.
- RoHS Compliant.
- No UV or IR radiation.
- 5 Year Warranty.

ORDERING INFORMATION

Sample Number: LED-93818-UNV-841-B40-E26
Custom options and accessories available. Please consult factory

Series	Wattage	Voltage	Color Temp	Beam	Base
LED-938 = PAR 38	18 = 18 W	UNV = 120-277 VAC	830 = 3000°K 841 = 4100°K 850 = 5000°K	B40 = 40° Beam	E26 = Medium Base



lightinnovations@work™

PRODUCT INFORMATION

Model No.	Watts	Input Line Current (Amp) @ 120-277VAC	Power Factor	THD	CCT (°K)	CRI	Lumens	Lm/W	Base	Beam Angle
LED-93818-UNV-830	18	0.157-0.068	>0.90	<20%	3,000°	>80	1,116	62	E26	40°
LED-93818-UNV-841	18	0.157-0.068	>0.90	<20%	4,100°	>80	1,170	65	E26	40°
LED-93818-UNV-850	18	0.157-0.068	>0.90	<20%	5,000°	>80	1,188	66	E26	40°

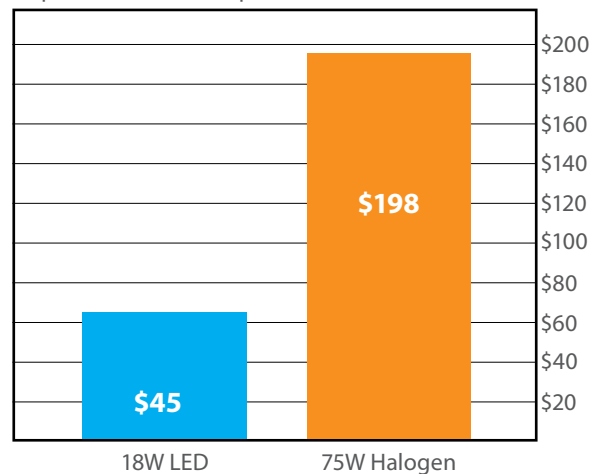
SPECIFICATIONS

- LED Driver Constant Current
- Power Supply 350mA
- Start Method InstantON
- Hot Re-start InstantON
- Universal Input Line Voltage 120-277 VAC
- LED / Driver System Life 25,000 Hrs.
- Color Temperature Various
- Color Rendering Index (CRI) > 80
- Minimum Starting Temperature -20°C
- Maximum Starting Temperature +45°C
- Lumens per Watt > 60
- Power Factor > 0.90
- Total Harmonic Distortion < 20%
- FCC Compliance Part 15, Subp. C
- Warranty 5 Year

ENERGY SAVINGS

75% Energy Savings

Operation Costs Comparison over Life of LED Bulb



*Based on \$0.10 kw/H

*12Hrs. per Day Usage

Neptun Light, Inc.
13950 Business Center Drive
Lake Forest, IL 60045
Fax: 847.735.8004

Neptun Light, Inc. reserves the right to change materials or modify the design of its product without notification as part of the company's continuing product improvement program.
©2002-2016 Neptun Light, Inc. All rights reserved. Spec. Rev. 7-2016