

Incredible **100,000 hrs**

GENERAL DESCRIPTION

Neptun's Tunnel/Viaduct fixture combines classic form and versatility to make it an excellent choice for new construction or retrofit applications. The 34 series fixture is offered in a variety of wattages and its adjustable mounting brackets provide maximum flexibility in all types of applications. It can replace existing HID & HPS fixtures up to 800W.

APPLICATION

- Tunnel / Viaduct Lighting
- Canopy Lighting
- Overhead Pool Lighting
- Gymnasium Lighting
- Factory Lighting
- Warehouse Lighting

STRUCTURE, MATERIALS, & FEATURES

- Heavy-gauge, die-cast aluminum housing.
- Custom designed anodized aluminum reflectors for superior illuminance.
- Heat and impact resistant tempered flat glass lens.
- Corrosion resistant aluminum finish.
- (2) Adjustable tilt, stainless steel mounting brackets. (Included)
- Continuous silicone gasketing surrounds lens for weather - tight seal.
- Inductively coupled rectangular induction bulb.
- High power factor, low THD electronic ballast with surge protection.
- Instant-On flicker-free Cold Start and Hot Re-Start.
- High quality glare-free light with high CRI above (83).
- Bright white light (5000°K) for greater visibility and safety.
- Advance phosphors for high lumen output and high lumen maintenance.
- Up to 20 year maintenance free operation.
- 10 Year Warranty.

ORDERING INFORMATION

Sample Number: 34250-UNV-850
 Custom options and accessories available. Please consult factory

Series	Lamp Wattage	Voltage	Color Temp	Accessories
34 = Tunnel/Viaduct Fixture	250 = 250 W 300 = 300 W 400 = 400 W	UNV = 120-277 VAC	830 = 3000°K 841 = 4100°K 850 = 5000°K * * Standard	LD-120V = Photocell 120V LD-277V = Photocell 277V MD = Motion Sensor



lightinnovations@work™

PRODUCT INFORMATION

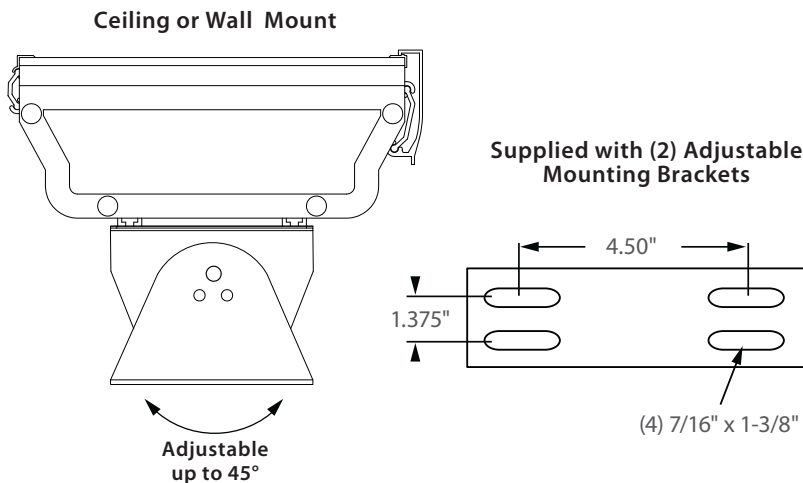
Model No.	Description	Rated Watts	Input Watts	Initial Lumens	Universal Line Voltage (VAC)	Max Line Current (Amp) 120 - 277	THD	Power Factor	Weight
34250-UNV	51" Tunnel/Viaduct Fixture	250	265	20,000	120-277	2.18-0.94	<10%	0.98	45 lbs
34300-UNV*	51" Tunnel/Viaduct Fixture	300	315	24,000	120-277	2.62-1.13	<10%	0.98	50 lbs
34400-UNV*	51" Tunnel/Viaduct Fixture	400	420	32,000	120-277	3.50-1.51	<10%	0.98	50 lbs

* Features dual bulbs & ballasts

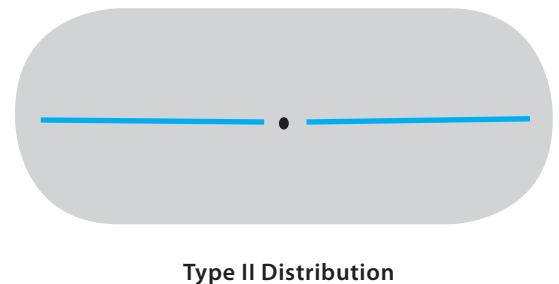
SPECIFICATIONS

- Ballast Type Electronic
- Start Method InstantON
- Hot Re-start InstantON
- Universal Input Line Voltage 120-277 VAC
- Input Line Frequency 50/60 Hz
- Lamp Operating Frequency 250 kHz
- Ballast Off-State Draw 0 Watts
- Sound Rating Class A
- Lamp / Ballast System Life 100,000 Hrs.
- Lumen Maintenance @75,000Hrs > 70%
- Color Temperature 5000°K
- Color Rendering Index (CRI) 83
- Minimum Starting Temperature -20°F
- Maximum Starting Temperature 160°F
- Lumens per Watt 80
- Shock / Vibration Resistant Yes
- Power Factor > 0.98
- Total Harmonic Distortion < 10%
- Inrush Current Peak < 10 Amp
- ETL Listed / UL Standard 1598 Yes
- FCC Compliance Part 18, Subp. C
- IP Rating IP66
- Warranty 10 Year

MOUNTING OPTIONS



PHOTOMETRICS (See Complete IES File)



Neptun Light, Inc.
 13950 Business Center Drive
 Lake Forest, IL 60045
 Fax: 847.735.8004

Neptun Light, Inc. reserves the right to change materials or modify the design of its product without notification as part of the company's continuing product improvement program.
 ©2002-2016 Neptun Light, Inc. All rights reserved. Spec. Rev. 4-2016