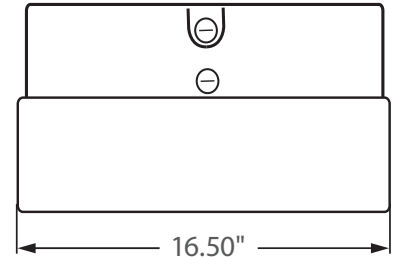
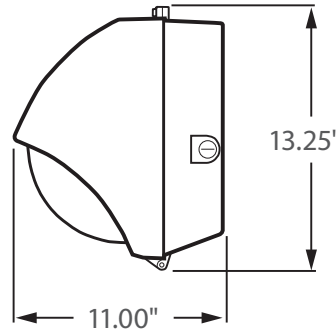




**\*\* AVAILABLE \*\***

Bi-Level Dimming  
100% 50%

0 - 10V  
FULL DIMMING



Incredible **100,000 hrs**

### GENERAL DESCRIPTION

Neptun's LED Flood type Wall Pack fixtures feature classic form and durability to make it an excellent choice for new construction or retrofit applications. LED-21 series fixtures feature high output LED's and custom engineered optics to provide excellent uniformity and efficiency. It can replace existing HID & HPS fixtures up to 250 Watts.

### APPLICATION

- Building Accent Lighting
- Landscape Lighting
- Security Lighting
- Parking Lot Lighting
- Area Lighting
- Storage Area Lighting
- Stairwell Lighting
- Passageway Lighting

### STRUCTURE, MATERIALS, & FEATURES

- Heavy-gauge, die-cast aluminum housing.
- Heat and impact resistant borosilicate glass lens.
- Corrosion resistant electrocoat dark bronze finish (custom colors available).
- Hinged aluminum door frame incorporates stainless steel hardware.
- Continuous silicone gasket surrounds lens for weather - tight seal.
- High Output COB LED's with borosilicate glass lens optics.
- High power factor, low THD driver with 6kV/3kA surge protection.  
Optional 20kV/10kA surge protector available.
- InstantON flicker-free Cold Start and Hot Re-Start.
- Up to 20 years Maintenance free operation.
- 5 Year Warranty on complete fixture. (LED's, Driver, & Housing)
- **Optional:** Bi-Level Dimming, 0-10V Dimming, Remote Monitoring and ON/ OFF Control, DC 24V Operation - Solar Compatible

### ORDERING INFORMATION

Sample Number: LED-21080-RFLD-UNV-0-10VDIM-850-LD-120V-BRZ  
Custom options and accessories available. Please consult factory

| Series                    | Wattage                                 | Lens                                   | Voltage  | Options   | Color Temp  | Accessories   | Color  |
|---------------------------|---|--|--|---|---|---|--|
| <b>LED-21</b> = Wall Pack | <b>080</b> = 80 W<br><b>100</b> = 100 W | <b>RFLD</b> = Round Lens<br>Flood Type | <b>UNV</b> = 120-277 VAC<br><b>347V</b> = 347 VAC<br><b>480V</b> = 480 VAC<br><b>24VDC</b> = 24VDC | <b>0-10VDIM</b> = 0-10V Dimming<br><b>BL-DIM</b> = Bi-Level Dimming *<br>* Includes Motion Sensor<br>** Contact Factory for dimming options | <b>830</b> = 3000°K<br><b>835</b> = 3500°K<br><b>841</b> = 4100°K<br><b>850</b> = 5000°K<br><b>AMB</b> = Amber<br>(585-595nm) | <b>LD-120V</b> = Photocell 120VAC<br><b>LD-277V</b> = Photocell 277VAC<br><b>MD</b> = Motion Sensor ON/OFF<br><b>SP</b> = 20kV/10kA surge protector | <b>BRZ</b> = Bronze<br>* Custom Colors Available |



lightinnovations@work™

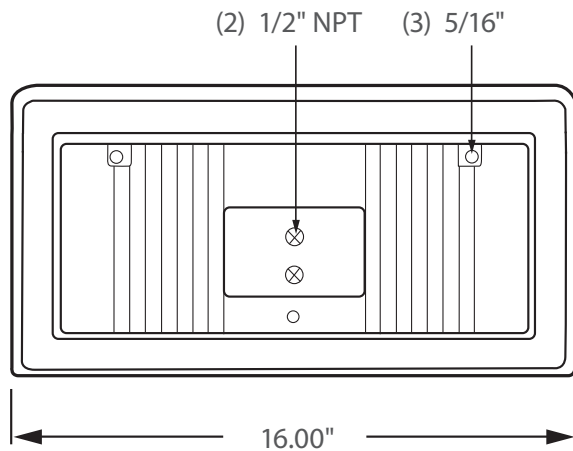
### PRODUCT INFORMATION

| Model No.         | Description            | Input Watts | Delivered Lumens | Universal Line Voltage (VAC) | Max Line Current (Amp) @ 120 - 277 | THD  | Power Factor | Weight |
|-------------------|------------------------|-------------|------------------|------------------------------|------------------------------------|------|--------------|--------|
| LED-21080RFLD-UNV | Wall Pack - Flood Type | 82          | 9,070            | 120-277                      | 0.69 - 0.30                        | <15% | >0.95        | 20 lbs |
| LED-21100RFLD-UNV | Wall Pack - Flood Type | 102         | 11,420           | 120-277                      | 0.87 - 0.37                        | <15% | >0.95        | 20 lbs |

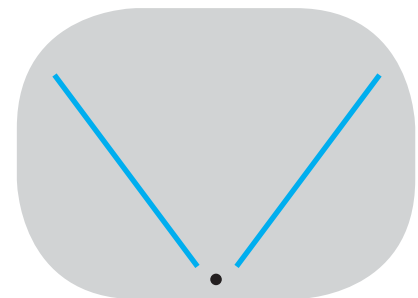
### SPECIFICATIONS

- Driver ..... Constant Current
- Start Method ..... InstantON
- Hot Re-start ..... InstantON
- Driver UL Rating ..... Class 1
- Driver UL Outdoor Rated ..... Wet Location
- Sound Rating ..... Class A
- ANSI Surge Protection ..... IEEE C62.41 C High
- Driver Off-State Draw ..... 0 Watts
- Universal Input Line Voltage ..... 120-277 VAC
- Input Line Frequency ..... 50/60 Hz
- Projected (L70) @ 25°C ..... > 100,000 hrs.
- Color Temperature ..... Multiple (± 300°K)
- Color Rendering Index (CRI) ..... > 80
- Minimum Starting Temperature ..... -40°C
- Maximum Starting Temperature ..... +50°C
- Lumens per Watt ..... > 110
- Shock / Vibration Resistant ..... Yes
- Power Factor ..... > 0.95
- Total Harmonic Distortion ..... < 15%
- Inrush Current Peak ..... < 10 Amp
- FCC Compliance ..... Part 15, Subp. C
- ETL Listed / UL Standard 1598 ..... Yes
- Housing IP Rating ..... IP65
- Driver IP Rating ..... IP67
- Warranty ..... 5 Year

### MOUNTING OPTIONS



### PHOTOMETRICS (See Complete IES File)



Type IV Distribution

Neptun Light, Inc.  
13950 Business Center Drive  
Lake Forest, IL 60045  
Fax: 847.735.8004

Neptun Light, Inc. reserves the right to change materials or modify the design of its product without notification as part of the company's continuing product improvement program.  
©2002-2018 Neptun Light, Inc. All rights reserved.

Spec. Rev. 1-2018