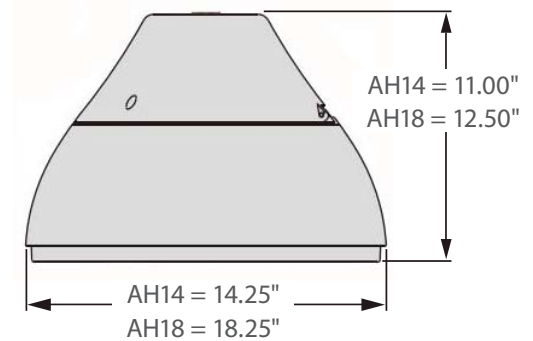




\*\* CUSTOM RING COLOR \*\*

OUTDOOR RATED  
**IP65**  
\*\* AVAILABLE \*\*  
**0 - 10V**  
FULL DIMMING



Incredible **100,000 hrs**

### GENERAL DESCRIPTION

Neptun's LED Architectural Low/High-Bay fixtures combine architectural design and versatility to make it an excellent choice for new construction or retrofit applications. The high-bay fixture features high output COB's for optimum lumen output. Offered in multiple color options and custom colors for retail or showroom designs. It can replace existing HID & HPS fixtures up to 400W.

### APPLICATION

- Retail Lighting
- Pool Lighting
- Convention Center Lighting
- Showroom Lighting
- Factory Lighting

### STRUCTURE, MATERIALS, & FEATURES

- Heavy gauge die-cast aluminum housing. (IP65 rated)
- Corrosion resistant electrocoat finish (custom colors available).
- Custom ring color options available.
- Heat and impact resistant glass lens.
- High performance Thermal Management system.
- High Output COB LED's with sealed optics (IP68 rated)
- High power factor, low THD driver with 6kV/3kA surge protection.
- Instant-On flicker-free Cold Start and Hot Re-Start.
- Bright white light (5000°K) for greater visibility and safety.
- Up to 15 year maintenance free operation.
- 5 Year Warranty on complete fixture. (LED's, Driver, & Housing)
- **Optional:** 0-10V Dimming, Wi-Fi Control, Remote Monitoring and ON/ OFF Control

### ORDERING INFORMATION

Sample Number: LED-AH14-080-UNV-0-10VDIM-850-GRY-RC-WHT-C3  
Custom options and accessories available. Please consult factory

| Series | Wattage   | Voltage   | Options   | CCT  | Color                                    | Options  |
|--------|---|---|---|--|--|--|
| LED-AH | 14-060 = 60W<br>14-080 = 80W<br>14-100 = 100W<br>18-120 = 120W<br>18-150 = 150W | UNV = 120-277 VAC<br>347V = 347 VAC<br>480V = 480 VAC | 0-10VDIM = 0-10V Dimming<br>** Contact Factory for dimming options. | 835 = 3500°K<br>841 = 4100°K<br>850 = 5000°K *<br>* Standard | GRY = Grey<br>BLK = Black<br>WHT = White | RC-xxx = Ring Color (xxx = color callout)<br>C3* = 3' Cord-No Plug<br>(other lengths available C6 = 6' cord)<br>PC3 = 3' Cord with NEMA Plug<br>(verify plug type when ordering)<br>PDM = 1/2" NPT pendant mount<br>* Standard |



lightinnovations@work™

### PRODUCT INFORMATION

| Model No.        | Description      | Rated Watts | Input Watts | Delivered Lumens | Universal Line Voltage (VAC) | Max Line Current (Amp) @ 120 - 277 | THD  | Power Factor | Weight |
|------------------|------------------|-------------|-------------|------------------|------------------------------|------------------------------------|------|--------------|--------|
| LED-AH14-060-UNV | Low-Bay Fixture  | 60          | 62          | 7,200            | 120-277                      | 0.52 - 0.22                        | <20% | >0.90        | 18 lbs |
| LED-AH14-080-UNV | Low-Bay Fixture  | 80          | 82          | 9,600            | 120-277                      | 0.69 - 0.30                        | <20% | >0.90        | 18 lbs |
| LED-AH14-100-UNV | Low-Bay Fixture  | 100         | 102         | 12,000           | 120-277                      | 0.87 - 0.37                        | <20% | >0.90        | 18 lbs |
| LED-AH18-120-UNV | High-Bay Fixture | 120         | 122         | 14,400           | 120-277                      | 1.05 - 0.45                        | <20% | >0.90        | 28 lbs |
| LED-AH18-150-UNV | High-Bay Fixture | 150         | 152         | 18,000           | 120-277                      | 1.31 - 0.56                        | <20% | >0.90        | 28 lbs |

### SPECIFICATIONS

- Driver ..... Constant Current
- Start Method ..... InstantON
- Hot Re-start ..... InstantON
- Power Supply ..... 350mA
- Driver UL Rating ..... Class 1
- Driver UL Outdoor Rated ..... Wet Location
- Sound Rating ..... Class A
- ANSI Surge Protection ..... IEEE C62.41 C High
- Driver Off-State Draw ..... 0 Watts
- Universal Input Line Voltage ..... 120-277 VAC
- Input Line Frequency ..... 50/60 Hz
- Projected (L70) @ 25°C ..... > 100,000 hrs.
- Color Temperature ..... 5,000°K
- Color Rendering Index (CRI) ..... > 80
- Minimum Starting Temperature ..... -40°C
- Maximum Starting Temperature ..... +50°C
- Lumens per Watt ..... > 105
- Shock / Vibration Resistant ..... Yes
- Power Factor ..... > 0.90
- Total Harmonic Distortion ..... < 20%
- Inrush Current Peak ..... < 10 Amp
- FCC Compliance ..... Part 15, Subp. C
- Housing IP Rating ..... IP65
- Optics IP Rating ..... IP68
- Driver IP Rating ..... IP67
- Warranty ..... 5 Year

### MOUNTING OPTIONS

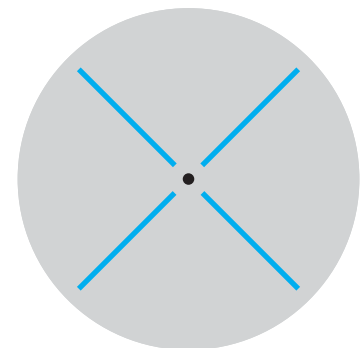
Hook Mount  
(Standard)



Pendant Mount  
(1/2" NPT)



### PHOTOMETRICS (See Complete IES File)



Type V Distribution

Neptun Light, Inc.  
13950 Business Center Drive  
Lake Forest, IL 60045  
Fax: 847.735.8004

Neptun Light, Inc. reserves the right to change materials or modify the design of its product without notification as part of the company's continuing product improvement program.  
©2002-2016 Neptun Light, Inc. All rights reserved. Spec. Rev. 7-2016