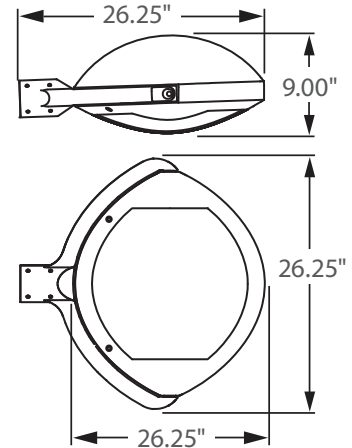




** AVAILABLE **

Bi-Level Dimming
100% 50%

0 - 10V
FULL DIMMING



Incredible **100,000 hrs**

GENERAL DESCRIPTION

Neptun's LED parking lot fixtures combine architectural form and versatility to make it an excellent choice for new construction or retrofit applications. The LED-435 series fixture is offered in a variety of wattages to provide maximum flexibility in all types of applications. The High Output LED's and custom engineered optics provide excellent uniformity and efficiency. It can replace existing HID & HPS fixtures up to 400W

APPLICATION

- Parking Lot Lighting
- Street Lighting
- Walkway Lighting
- Area Lighting
- Security Lighting
- Storage Area Lighting

STRUCTURE, MATERIALS, & FEATURES

- Heavy-gauge, die-cast aluminum housing.
- Corrosion resistant electrocoat bronze finish (custom colors available).
- 3.125" I.D. Slip Fitter Accepts up to 3" Pipe or Tenon.
- Adjustable tilt mounting arm allows for desired angle of fixture.
- Slim, state of the art, low profile design for minimum wind load resistance.
- Continuous silicone gasket surrounds lens for weather tight seal.
- Correlated Color Temperature of (5000°K) for greater visibility and safety.
- High Output COB LED's with borosilicate glass lens optics.
- High power factor, low THD driver with 6kV/3kA surge protection.
Optional 20kV/10kA surge protector available.
- InstantON flicker-free Cold Start and Hot Re-Start.
- Up to 15 years Maintenance free operation.
- 10 Year Warranty on complete fixture. (LED's, Driver, & Housing)
- **Optional:** 0-10V Dimming, Bi-Level Dimming, Remote Monitoring and ON/OFF Control, DC 24V Operation - Solar Compatible

ORDERING INFORMATION

Sample Number: LED-435100-UNV-0-10VDIM-850-T3-BRZ
Custom options and accessories available. Please consult factory

Series	Wattage	Voltage	Options	Color Temp	Accessories	Optics	Color
LED-435 = Area / Parking Fixture	080 = 80 W 100 = 100 W 120 = 120 W 150 = 150 W	UNV = 120-277 VAC 347V = 347VAC 480V = 480VAC 24VDC = 24VDC	0-10VDIM = 0-10V Dimming BL-DIM = Bi-Level Dimming * * Includes Motion Sensor ** Contact factory for dimming options	835 = 3500°K 841 = 4100°K 850 = 5000°K * * Standard	MD = Motion Sensor ON/OFF SP = 20kV/10kA surge protector FSP-211 = Wattstopper Sensor (used with bi-level dimming option)	T3 = Type 3 T5 = Type 5	BRZ = Bronze ■ * Custom Colors Available



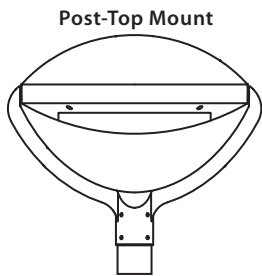
PRODUCT INFORMATION

Model No.	Description	Rated Watts	Input Watts	Delivered Lumens	Universal Line Voltage (VAC)	Max Line Current (Amp) @ 120 - 277	THD	Power Factor	Weight
LED-435080-UNV	LED Area Fixture	80	82	9,600	120-277	0.34 - 0.15	<20%	>0.90	35 lbs
LED-435100-UNV	LED Area Fixture	100	102	12,000	120-277	0.52 - 0.22	<20%	>0.90	35 lbs
LED-435120-UNV	LED Area Fixture	120	122	14,400	120-277	0.69 - 0.30	<20%	>0.90	35 lbs
LED-435150-UNV	LED Area Fixture	150	152	18,000	120-277	0.87 - 0.37	<20%	>0.90	35 lbs

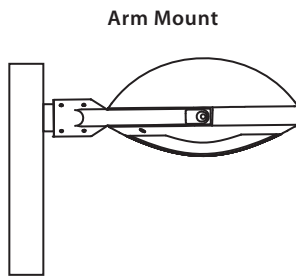
SPECIFICATIONS

- Driver Constant Current
- Start Method InstantON
- Hot Re-start InstantON
- Power Supply 350mA
- Driver UL Rating Class 1
- Driver UL Outdoor Rated Wet Location
- Sound Rating Class A
- ANSI Surge Protection IEEE C62.41 C High
- Current Crest Factor 1.5 maximum
- Load Regulation: 5% output current variation across load range
- Line Regulation: 1% output voltage variation across voltage range
- Driver Off-State Draw 0 Watts
- Vibration Compliance 3G
- Universal Input Line Voltage 120-277 VAC
- Input Line Frequency 50/60 Hz
- Projected (L70) @ 25°C > 100,000 hrs.
- Color Temperature 5,000°K
- Color Rendering Index (CRI) > 80
- Minimum Starting Temperature -40°C
- Maximum Starting Temperature +50°C
- Lumens per Watt > 100
- Shock / Vibration Resistant Yes
- Power Factor > 0.90
- Total Harmonic Distortion < 20%
- Inrush Current Peak < 10 Amp
- FCC Compliance Part 15, Subp. C
- EPA Rating 1.57 ft.²
- Driver IP Rating IP67
- Optics IP Rating IP68
- Warranty 10 Year

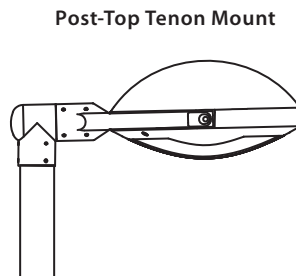
MOUNTING OPTIONS



Accepts up to 3" O.D. Round Tenon or Pole



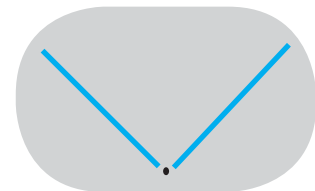
Accepts up to 3" O.D. Round Tenon or Pole (Standard)



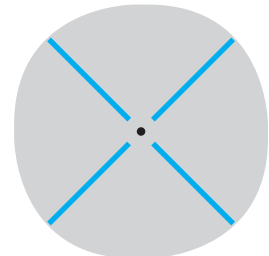
Accepts up to 3" O.D. Round Tenon or Pole 90° Tenon Mount (90DTM) Sold Separately



PHOTOMETRICS (See Complete IES File)



Type 3 Distribution



Type 5 Distribution

Neptun Light, Inc.
13950 Business Center Drive
Lake Forest, IL 60045
Fax: 847.735.8004

Neptun Light, Inc. reserves the right to change materials or modify the design of its product without notification as part of the company's continuing product improvement program.
©2002-2016 Neptun Light, Inc. All rights reserved.

Spec. Rev. 1-2017