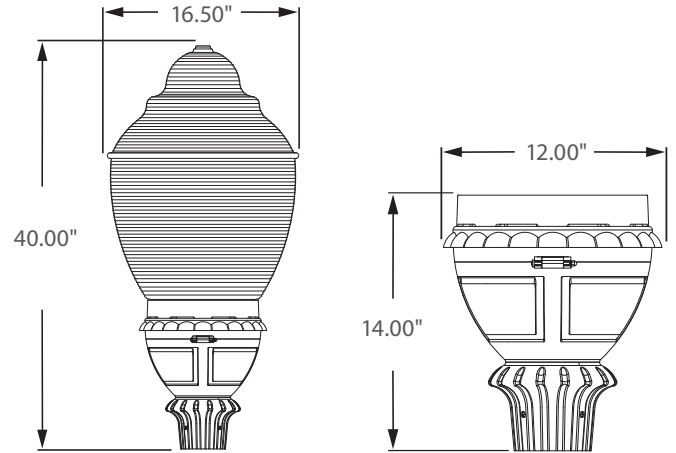


LAMP INCLUDED



\*\* AVAILABLE \*\*

0 - 10V  
FULL DIMMING



Incredible **100,000** hrs

## GENERAL DESCRIPTION

Neptun's LED post top fixture features a traditional decorative style to make it an excellent choice for new construction or retrofit applications. The LED-91 series offers excellent illumination and uniformity. Offered in a variety of wattages, it can replace existing HID & HPS fixtures up to 250W.

## APPLICATION

- Street Lighting
- Parking Lot Lighting
- Security Lighting
- Decorative Post-Top Lighting
- Area Lighting
- Walkway Lighting

## STRUCTURE, MATERIALS, & FEATURES

- Fiberglass reinforced composite housing for excellent durability and strength.
- High Efficiency, heat and impact resistant, UV protected, non-yellowing polycarbonate refractor.
- Corrosion resistant electrocoat black finish (custom colors available).
- 3" I.D. Slip Fitter Accepts up to 2-7/8" Pipe or Tenon. (hardware included)
- Continuous silicone gasket surrounds lens for weather - tight seal.
- Supplied with 360° LED lamp.
- High power factor, low THD driver with 6kV/3kA surge protection.
- Instant-On flicker-free Cold Start and Hot Re-Start.
- Up to 15 year maintenance free operation.
- 5 Year Warranty on complete fixture. (LED's, Driver, & Housing)
- **Optional:** 0-10V Dimming, Remote Monitoring and ON/ OFF Control, DC 24V Operation - Solar Compatible

## ORDERING INFORMATION

Sample Number: LED-91040-UNV-850-BLK  
Custom options and accessories available. Please consult factory

Series	Wattage	Voltage	Options	Color Temp	Color
LED-91 = Post-Top Acorn Fixture	040 = 40 W 060 = 60 W 080 = 80 W 100 = 100 W 120 = 120 W	UNV = 120-277 VAC 347V = 347 VAC * 480V = 480 VAC * 24VDC = 24 VDC * * Available only in 80-100w units	0-10VDIM = 0-10V Dimming* * Options only available in 80-120W ** Contact Factory for dimming options	830 = 3000°K 841 = 4100°K 850 = 5000°K	BLK = Black * Custom Colors Available



lightinnovations@work™

### PRODUCT INFORMATION

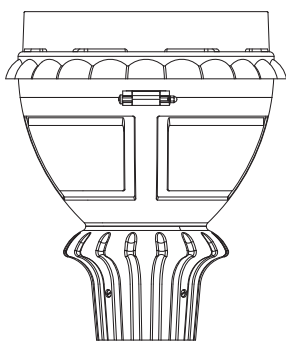
Model No.	Description	Input Watts	Delivered Lumens	Universal Line Voltage (VAC)	Max Line Current (Amp) @ 120 - 277	THD	Power Factor	Weight
LED-91040-UNV	Post-Top Acorn Fixture	42	4,200	120-277	0.34 - 0.15	<15%	>0.95	35 lbs
LED-91060-UNV	Post-Top Acorn Fixture	62	6,200	120-277	0.52 - 0.22	<15%	>0.95	35 lbs
LED-91080-UNV	Post-Top Acorn Fixture	82	8,200	120-277	0.69 - 0.30	<15%	>0.95	35 lbs
LED-91100-UNV	Post-Top Acorn Fixture	102	10,200	120-277	0.87 - 0.37	<15%	>0.95	35 lbs
LED-91120-UNV	Post-Top Acorn Fixture	122	12,200	120-277	1.05 - 0.45	<15%	>0.95	35 lbs

### SPECIFICATIONS

- Driver ..... Constant Current
- Start Method ..... InstantON
- Hot Re-start ..... InstantON
- Driver UL Rating ..... Class 1
- Driver UL Outdoor Rated ..... Wet Location
- Sound Rating ..... Class A
- ANSI Surge Protection ..... IEEE C62.41 C High
- Current Crest Factor ..... 1.5 maximum
- Load Regulation: 5% output current variation across load range
- Line Regulation: 1% output voltage variation across voltage range
- Driver Off-State Draw ..... 0 Watts
- Vibration Compliance ..... 3G
- Universal Input Line Voltage ..... 120-277 VAC
- Input Line Frequency ..... 50/60 Hz
- Projected (L70) @ 25°C ..... > 100,000 hrs.
- Color Temperature ..... Multiple (± 300°K)
- Color Rendering Index (CRI) ..... > 80
- Minimum Starting Temperature ..... -40°C
- Maximum Starting Temperature ..... +50°C
- Lumens per Watt ..... > 100
- Shock / Vibration Resistant ..... Yes
- Power Factor ..... > 0.95
- Total Harmonic Distortion ..... < 15%
- Inrush Current Peak ..... < 10 Amp
- FCC Compliance ..... Part 15, Subp. C
- EPA Rating ..... 1.70 ft.<sup>2</sup>
- Housing IP Rating ..... IP65
- Driver IP Rating ..... IP67
- Warranty ..... 5 Year

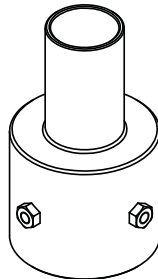
### MOUNTING OPTIONS

#### SLIP-FIT MOUNT



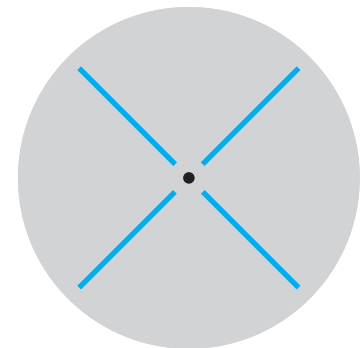
Accepts up to 2-7/8" O.D.  
Round Tenon or Pole

#### ARM:RPTR (contact factory)



Round Pole Tenon Reducers  
available for 3", 4", & 5" O.D. Poles

### PHOTOMETRICS (See Complete IES File)



Type V Distribution

Neptun Light, Inc.  
13950 Business Center Drive  
Lake Forest, IL 60045  
Fax: 847.735.8004

Neptun Light, Inc. reserves the right to change materials or modify the design of its product without notification as part of the company's continuing product improvement program.  
©2002-2018 Neptun Light, Inc. All rights reserved.

Spec. Rev. 1-2018