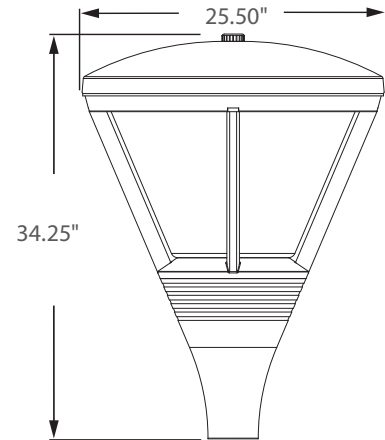




**\*\* AVAILABLE \*\***  
**0 - 10V**  
**FULL DIMMING**



Incredible **100,000 hrs**

## GENERAL DESCRIPTION

Neptun's LED post top fixture features a traditional decorative style to make it an excellent choice for new construction or retrofit applications. The LED-92 series offers excellent illumination and uniformity. The full cut-off hood allows for use in Dark Sky applications. Offered in a variety of wattages, it can replace existing HID & HPS fixtures up to 400W.

## APPLICATION

- Street Lighting
- Parking Lot Lighting
- Security Lighting
- Decorative Post-Top Lighting
- Area Lighting
- Walkway Lighting

## STRUCTURE, MATERIALS, & FEATURES

- Fiberglass reinforced composite housing for excellent durability and strength.
- High Efficiency, heat and impact resistant, UV protected, non-yellowing polycarbonate refractor.
- Corrosion resistant electrocoat black finish (custom colors available).
- 3" I.D. Slip Fitter Accepts up to 2-7/8" Pipe or Tenon. (hardware included)
- Continuous silicone gasket surrounds lens for weather - tight seal.
- High Output COB LED's with borosilicate glass lens optics.
- High power factor, low THD driver with 6kV/3kA surge protection.  
 Optional 20kV/10kA surge protector available.
- Instant-On flicker-free Cold Start and Hot Re-Start.
- Up to 20 year maintenance free operation.
- 5 Year Warranty on complete fixture. (LED's, Driver, & Housing)
- **Optional:** 0-10V Dimming, Wi-Fi Control, Remote Monitoring and ON/ OFF Control, DC 24V Operation - Solar Compatible

## ORDERING INFORMATION

Sample Number: LED-92060-UNV-0-10VDIM-850-LD-BLK  
 Custom options and accessories available. Please consult factory

Series	Wattage	Voltage	Options	Color Temp	Accessories	Color
LED-92 = Post-Top Acorn Fixture	<b>060</b> = 60 W <b>080</b> = 80 W <b>100</b> = 100 W <b>120</b> = 120 W <b>150</b> = 150 w	<b>UNV</b> = 120-277 VAC <b>347V</b> = 347 VAC <b>480V</b> = 480 VAC <b>24VDC</b> = 24 VDC * * Only available up to 100w	<b>0-10VDIM</b> = 0-10V Dimming <b>BL-DIM</b> = Bi-Level Dimming * * Includes Motion Sensor ** Contact Factory for dimming options	<b>830</b> = 3000°K <b>835</b> = 3500°K <b>841</b> = 4100°K <b>850</b> = 5000°K <b>AMB</b> = Amber (585-595nm)	<b>LD</b> = NEMA Twist-Lock Photocell & Receptacle <b>MD</b> = Motion Sensor ON/OFF <b>SP</b> = 20kV/10kA surge protector	<b>BLK</b> = Black * Custom Colors Available



lightinnovations@work™

### PRODUCT INFORMATION

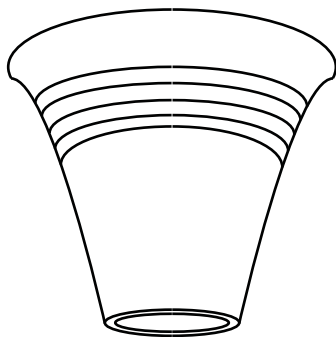
Model No.	Description	Input Watts	Delivered Lumens	Universal Line Voltage (VAC)	Max Line Current (Amp) @ 120 - 277	THD	Power Factor	Weight
LED-92060-UNV	Post-Top Acorn Fixture	62	7,130	120-277	0.52 - 0.22	<20%	>0.90	38 lbs
LED-92080-UNV	Post-Top Acorn Fixture	82	9,430	120-277	0.69 - 0.30	<20%	>0.90	38 lbs
LED-92100-UNV	Post-Top Acorn Fixture	102	11,730	120-277	0.87 - 0.37	<20%	>0.90	38 lbs
LED-92120-UNV	Post-Top Acorn Fixture	122	14,030	120-277	1.05 - 0.45	<20%	>0.90	38 lbs
LED-92150-UNV	Post-Top Acorn Fixture	152	17,480	120-277	1.31 - 0.56	<20%	>0.90	38 lbs

### SPECIFICATIONS

- Driver ..... Constant Current
- Start Method ..... InstantON
- Hot Re-start ..... InstantON
- Driver UL Rating ..... Class 1
- Driver UL Outdoor Rated ..... Wet Location
- Sound Rating ..... Class A
- ANSI Surge Protection ..... IEEE C62.41 C High
- Current Crest Factor ..... 1.5 maximum
- Load Regulation: 5% output current variation across load range
- Line Regulation: 1% output voltage variation across voltage range
- Driver Off-State Draw ..... 0 Watts
- Vibration Compliance ..... 3G
- Universal Input Line Voltage ..... 120-277 VAC
- Input Line Frequency ..... 50/60 Hz
- Projected (L70) @ 25°C ..... > 100,000 hrs.
- Color Temperature ..... Multiple (± 300°K)
- Color Rendering Index (CRI) ..... > 80
- Minimum Starting Temperature ..... -40°C
- Maximum Starting Temperature ..... +50°C
- Lumens per Watt ..... > 110
- Shock / Vibration Resistant ..... Yes
- Power Factor ..... > 0.95
- Total Harmonic Distortion ..... < 15%
- Inrush Current Peak ..... < 10 Amp
- FCC Compliance ..... Part 15, Subp. C
- EPA Rating ..... 1.80 ft.<sup>2</sup>
- Housing IP Rating ..... IP65
- Driver IP Rating ..... IP67
- Optics IP Rating ..... IP68
- Warranty ..... 5 Year

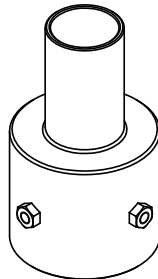
### MOUNTING OPTIONS

#### SLIP-FIT MOUNT



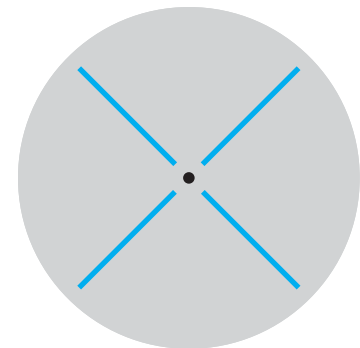
Accepts up to 2-7/8" O.D.  
Round Tenon or Pole

#### ARM:RPTR (contact factory)



Round Pole Tenon Reducers  
available for 3", 4", & 5" O.D. Poles

### PHOTOMETRICS (See Complete IES File)



Type V Distribution

Neptun Light, Inc.  
13950 Business Center Drive  
Lake Forest, IL 60045  
Fax: 847.735.8004

Neptun Light, Inc. reserves the right to change materials or modify the design of its product without notification as part of the company's continuing product improvement program.  
©2002-2018 Neptun Light, Inc. All rights reserved.

Spec. Rev. 1-2018