



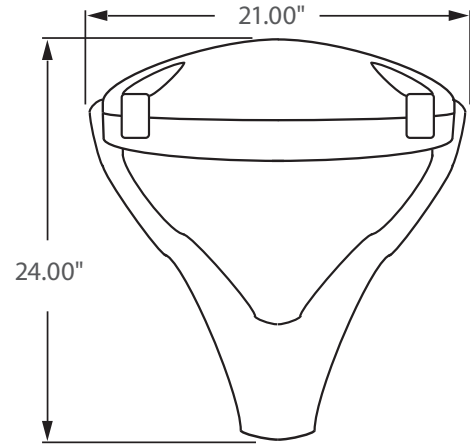
Not all products are qualified on the DLC QPL. To view our DLC qualified products, please consult the DLC Qualified Products List at www.designlights.org/qpl

** AVAILABLE **

Bi-Level Dimming
100% 50%

0 - 10V
FULL DIMMING

Dark Sky
FRIENDLY



Incredible **100,000** hrs

GENERAL DESCRIPTION

Neptun's 18" LED Round Post-Top fixture combines classic form and versatility to make it an excellent choice for new construction or retrofit applications. The LED-35 series post-top fixture is offered in a variety of wattages to provide maximum flexibility in all types of applications. It can replace existing HID & HPS fixtures up to 400W.

APPLICATION

- Parking Lot Lighting
- Car Lot Lighting
- Area & Storage Lighting
- Street Lighting
- Walkway Lighting

STRUCTURE, MATERIALS, & FEATURES

- Heavy-gauge, die-cast aluminum housing.
- Heat and impact resistant sealed glass lens.
- 2-5/8" I.D. Slip Fitter Accepts up to 2-1/2" Pipe or Tenon.
- Corrosion resistant electrocoat dark bronze finish. (custom colors available)
- Post top mounting system incorporates stainless steel hardware.
- Correlated Color Temperature of (5000°K) for greater visibility and safety.
- High Output COB LED's.
- Driver with built in Neptun Surge Protective Device (NSPD) provides single phase protection for Line/Neutral, Line/Ground, and Neutral/Ground in accordance with IEEE C62.41 C High (10kV & 10kA).
- InstantON flicker-free Cold Start and Hot Re-Start.
- Up to 15 years Maintenance free operation.
- 10 Year Warranty on complete fixture. (LED's, Driver, & Housing)
- **Optional:** Bi-Level Dimming, 0-10V Dimming, Wi-Fi Control, Remote Monitoring and ON/ OFF Control, DC 24V Operation - Solar Compatible

ORDERING INFORMATION

Sample Number: LED-35080-UNV-0-10VDIM-850-LD-GRY
Custom options and accessories available. Please consult factory

Series	Wattage	Voltage	Options	Color Temp	Accessories	Color
LED-35 = Round Post-Top	080 = 80 W 100 = 100 W 120 = 120 W 150 = 150 W	UNV = 120-277 VAC 347V = 347 VAC 480V = 480 VAC 24VDC = 24 VDC	0-10VDIM = 0-10V Dimming BL-DIM = Bi-Level Dimming * * Includes Pole Mounted Motion Sensor ** Contact Factory for dimming options	835 = 3500°K 841 = 4100°K 850 = 5000°K * * Standard	LD = Twist-Lock Photocell MDP = Pole Mounted Motion Sensor ON/OFF LGN = Light Genie Node ** ** Contact Factory for product information	BRZ = Bronze * Custom Colors Available



lightinnovations@work™

PRODUCT INFORMATION

Model No.	Description	Rated Watts	Input Watts	Initial Lumens	Universal Line Voltage (VAC)	Max Line Current (Amp) @ 120 - 277	THD	Power Factor	Weight
LED-35080-UNV	LED Parking Lot Fixture	80	82	8,600	120-277	0.69 - 0.30	<20%	>0.90	35 lbs
LED-35100-UNV	LED Parking Lot Fixture	100	102	10,300	120-277	0.87 - 0.37	<20%	>0.90	35 lbs
LED-35120-UNV	LED Parking Lot Fixture	120	122	12,200	120-277	1.05 - 0.45	<20%	>0.90	35 lbs
LED-35150-UNV	LED Parking Lot Fixture	150	152	16,400	120-277	1.31 - 0.56	<20%	>0.90	35 lbs

SPECIFICATIONS

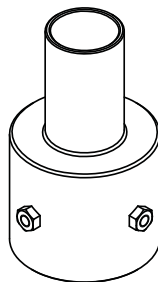
- Driver Constant Current
- Start Method InstantON
- Hot Re-start InstantON
- Power Supply 350mA
- Driver UL Rating Class 1
- Driver UL Outdoor Rated Wet Location
- Sound Rating Class A
- ANSI Surge Protection IEEE C62.41 C High
- Current Crest Factor 1.5 maximum
- Load Regulation: 5% output current variation across load range
- Line Regulation: 1% output voltage variation across voltage range
- Driver Off-State Draw 0 Watts
- Vibration Compliance 3G
- Universal Input Line Voltage 120-277 VAC
- Input Line Frequency 50/60 Hz
- Projected (L70) @ 25°C > 100,000 hrs.
- Color Temperature 5,000°K
- Color Rendering Index (CRI) > 80
- Minimum Starting Temperature -40°C
- Maximum Starting Temperature +50°C
- Lumens per Watt > 100
- Shock / Vibration Resistant Yes
- Power Factor > 0.90
- Total Harmonic Distortion < 20%
- Inrush Current Peak < 10 Amp
- FCC Compliance Part 15, Subp. C
- ETL Listed / UL Standard 1598 Yes
- EPA Rating 1.20 ft.²
- Driver IP Rating IP67
- Optics IP Rating IP68
- Warranty 10 Year

MOUNTING OPTIONS



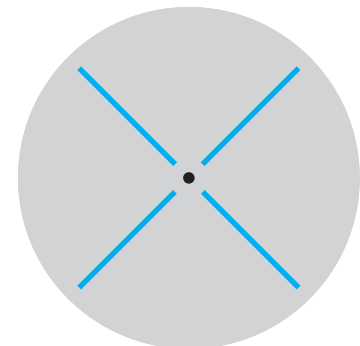
Accepts up to 2-1/2" O.D.
Round Tenon or Pole

IOP-RPTR (contact factory)



Round Pole Tenon Reducers
available for 3", 4", & 5" O.D. Poles

PHOTOMETRICS (See Complete IES File)



Type V Distribution

Neptun Light, Inc.
13950 Business Center Drive
Lake Forest, IL 60045
Fax: 847.735.8004

Neptun Light, Inc. reserves the right to change materials or modify the design of its product without notification as part of the company's continuing product improvement program.
©2002-2013 Neptun Light, Inc. All rights reserved.

Spec. Rev. 4-2015