

**BACK LIT  
DESIGN**

\*\* AVAILABLE \*\*

**0 - 10V**  
FULL DIMMING

Incredible **100,000 hrs**

### GENERAL DESCRIPTION

Neptun's 2'x2' high output troffer fixture combines classic form and versatility to make it an excellent choice for new construction or retrofit applications. The LED-51 series fixture is offered in a variety of wattages to provide maximum flexibility in all types of applications. Easily installs into most commonly used T-Bar grids. It can replace existing HID & HPS fixtures up to 250W.

### APPLICATION

- Retail Lighting
- Auto Showroom Lighting
- Gymnasium Lighting
- Hospital Lighting
- Auditorium Lighting

### STRUCTURE, MATERIALS, & FEATURES

- Stamped aluminum housing with extruded heat sink.
- High Efficiency non-yellowing polycarbonate lens / refractor.
- Corrosion resistant electrocoat white finish.
- Hinged aluminum door frame.
- High Output LED's.
- High power factor, low THD driver with 6kV/3kA surge protection.
- Instant-On flicker-free Cold Start and Hot Re-Start.
- Bright white light (5000°K) for greater visibility and safety.
- LED engine design with Advanced Thermal Management.
- Up to 15 year maintenance free operation.
- 5 Year Warranty on complete fixture. (LED's, Driver, & Housing)
- **Optional:** 0-10V Dimming, Remote Monitoring, WiFi Control, and ON/ OFF Control

### ORDERING INFORMATION

Sample Number: LED-51080-UNV-0-10VDIM-850-WHT  
Custom options and accessories available. Please consult factory

Series	Wattage	Voltage	Options	Color Temp
LED-51 = 2'x2' Troffer Fixture	080 = 80 W 100 = 100 W 120 = 120 W	UNV = 120-277 VAC 347V = 347 VAC 480V = 480 VAC	0-10VDIM = 0-10V Dimming Driver * Contact Factory for dimming options.	835 = 3500°K 841 = 4100°K 850 = 5000°K



lightinnovations@work™

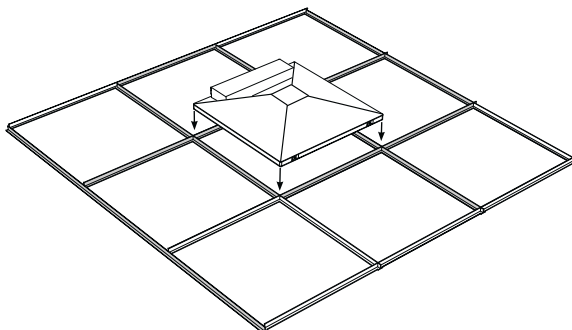
## PRODUCT INFORMATION

Model No.	Description	Rated Watts	Input Watts	Delivered Lumens	Universal Line Voltage (VAC)	Max Line Current (Amp) @ 120 - 277	THD	Power Factor	Weight
LED-51080-UNV	2x2 Troffer Fixture	80	81	8,800	120-277	0.69 - 0.30	<20%	>0.90	20 lbs
LED-51100-UNV	2x2 Troffer Fixture	100	102	11,000	120-277	0.87 - 0.37	<20%	>0.90	20 lbs
LED-51120-UNV	2x2 Troffer Fixture	120	122	13,200	120-277	1.05 - 0.45	<20%	>0.90	20 lbs

## SPECIFICATIONS

- LED Driver ..... Constant Current
- Power Supply ..... 350mA
- Driver UL Rating ..... Class 1
- Start Method ..... InstantON
- Hot Re-start ..... InstantON
- Universal Input Line Voltage ..... 120-277 VAC
- Input Line Frequency ..... 50/60 Hz
- Ballast Off-State Draw ..... 0 Watts
- Sound Rating ..... Class A
- Projected (L70) @ 25°C ..... > 100,000 hrs.
- Color Temperature ..... 3500°K, 4100°K, 5000°K
- Color Rendering Index (CRI) ..... > 80
- Minimum Starting Temperature ..... -40°C
- Maximum Starting Temperature ..... 50°C
- Lumens per Watt ..... > 100
- Shock / Vibration Resistant ..... Yes
- Power Factor ..... > 0.90
- Total Harmonic Distortion ..... < 20%
- Inrush Current Peak ..... < 10 Amp
- FCC Compliance ..... Part 15, Subp. C
- IP Rating ..... IP43
- Warranty ..... 5 Year

## MOUNTING OPTIONS



### T-BAR GRID SYSTEM

- Easy drop in installation in to standard 2x2 t-bar grid system.
- Power cord whip provided.

Neptun Light, Inc.  
13950 Business Center Drive  
Lake Forest, IL 60045  
Fax: 847.735.8004

Neptun Light, Inc. reserves the right to change materials or modify the design of its product without notification as part of the company's continuing product improvement program.  
©2002-2016 Neptun Light, Inc. All rights reserved.

Spec. Rev. 7-2016