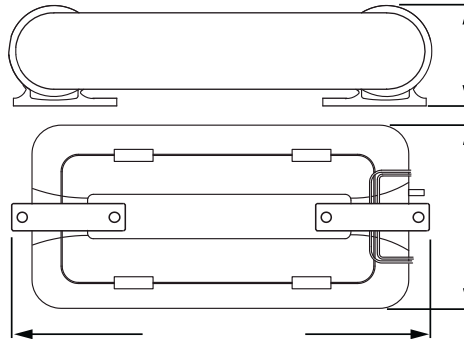


24VDC OPERATION



Bulb Dimensions

Wattage	M.O.L.	W	L
40W	3.00 in.	5.00 in.	7.50 in.
80W	3.50 in.	5.50 in.	12.50 in.
100W	3.50 in.	5.50 in.	12.50 in.
120W	3.50 in.	5.50 in.	12.50 in.
150W	3.50 in.	6.00 in.	16.50 in.

Incredible OFF GRID Operation

GENERAL DESCRIPTION

Neptun's Induction rectangle bulb retrofit kits are designed for replacing existing HID systems in indoor and outdoor lighting fixtures. The NIRT series kit is offered in a variety of wattages and the universal mounting position makes it an excellent choice for a variety of applications. The 24 Volt DC driver allows for compatible use with Solar or Wind powered systems. It can replace existing HID lighting systems up to 250W.

APPLICATION

- Canopy Fixtures
- Shoebox Fixtures
- Wall Pack Fixtures
- Flood Light Fixtures
- Area Lighting Fixtures

STRUCTURE, MATERIALS, & FEATURES

- Custom designed aluminum heat sink for superior thermal management.
- Supplied with medium 2 leg mounting arms.
- Teflon coated wiring protected from moisture, dust, heat, & cold.
- Inductively coupled rectangular induction bulb.
- High power factor, 24 Volt DC ballast.
- Instant-On flicker-free Cold Start and Hot Re-Start.
- Amalgam technology with very low mercury content. (Less than 4 mg)
- High quality glare-free light with high CRI (83).
- Bright white light (5000°K) for greater visibility and safety.
- Advance phosphors for high lumen output and high lumen maintenance.
- Up to 20 year maintenance free operation.
- 5 Year System Warranty.

ORDERING INFORMATION

Sample Number: NIRT-040RK-24VDV-850
Custom options and accessories available. Please consult factory

Type	Lamp Wattage	System	Voltage	Color Temp
<input type="text"/>	<input type="text"/>	<input type="text"/>	<input type="text"/>	<input type="text"/>
NIRT = Rectangle Type	040 = 40 W 050 = 50 W 065 = 65 W 080 = 80 W 100 = 100 W 120 = 120 W 150 = 150 W 200 = 200 W 250 = 250 W	RK = Retrofit Kit * Bulb & Ballast	24VDC = 24 VDC	830 = 3000°K 841 = 4100°K 850 = 5000°K * * Standard



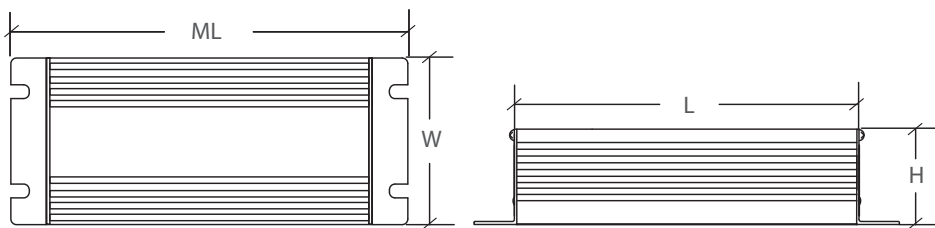
PRODUCT INFORMATION

Model No.	Description	Rated Watts	Input Watts	Initial Lumens	Input Line Voltage (VDC)	Max Line Current (Amp)	Power Factor	Weight
NIRT-040RK-24VDC	Rectangle RetroFit Kit	40	41	3,200	24	1.74	0.98	3 lbs
NIRT-080RK-24VDC	Rectangle RetroFit Kit	80	82	6,400	24	3.49	0.98	3 lbs
NIRT-100RK-24VDC	Rectangle RetroFit Kit	100	105	7,000	24	4.37	0.98	3 lbs
NIRT-120RK-24VDC	Rectangle RetroFit Kit	120	125	9,600	24	5.25	0.98	3 lbs
NIRT-150RK-24VDC	Rectangle RetroFit Kit	150	158	12,000	24	6.56	0.98	4 lbs

SPECIFICATIONS

- Ballast Type Electronic
- Start Method InstantON
- Hot Re-start InstantON
- Input Line Voltage 24 VDC
- Input Line Frequency 50/60 Hz
- Lamp Operating Frequency 250 kHz
- Ballast Off-State Draw 0 Watts
- Sound Rating Class A
- ANSI Surge Protection Class A
- Lamp / Ballast System Life 100,000 Hrs.
- Lumen Maintenance @75,000Hrs > 70%
- Color Temperature 5000°K
- Color Rendering Index (CRI) 83
- Minimum Starting Temperature -20°F
- Maximum Starting Temperature 160°F
- Lumens per Watt 80
- Shock / Vibration Resistant Yes
- Power Factor > 0.98
- ETL Listed / UL Standard 1598 Yes
- FCC Compliance Part 18, Subp. C
- Warranty 5 Year

BALLAST DIMENSIONS



Wattage	M.L.	W	L	H
40W	6.00 in.	3.00 in.	5.25 in.	1.75 in.
80W	6.00 in.	3.00 in.	5.25 in.	1.75 in.
100W	6.00 in.	3.00 in.	5.25 in.	1.75 in.
120W	7.50 in.	4.50 in.	6.25 in.	2.00 in.
150W	7.50 in.	4.50 in.	6.25 in.	2.00 in.

RECOMMENDED APPLICATION FIXTURES



* Contact Factory for Application Verification.

Neptun Light, Inc.
13950 Business Center Drive
Lake Forest, IL 60045
Fax: 847.735.8004

Neptun Light, Inc. reserves the right to change materials or modify the design of its product without notification as part of the company's continuing product improvement program.
©2002-2013 Neptun Light, Inc. All rights reserved.

Spec. Rev. 1-2013