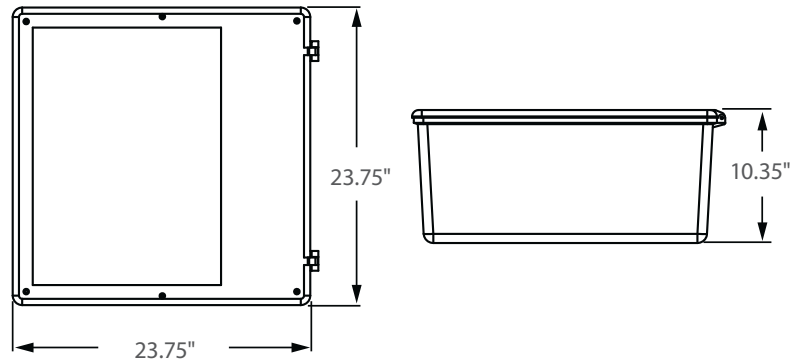




**\*\* AVAILABLE \*\***

**Bi-Level Dimming**  
100% 50%

**0 - 10V**  
FULL DIMMING



Incredible **100,000** hrs

### GENERAL DESCRIPTION

Neptun's 23" LED flood combines classic form and versatility to make it an excellent choice for new construction or retrofit applications. The LED-39 series flood fixture is offered in a variety of wattages and mounting options to provide maximum flexibility in all types of applications. It can replace existing HID & HPS fixtures up to 750W.

### APPLICATION

- Parking Lot Lighting
- Car Lot Lighting
- Area & Storage Lighting
- Street Lighting
- Walkway Lighting
- Building Accent Lighting

### STRUCTURE, MATERIALS, & FEATURES

- Heavy-gauge, die-cast aluminum housing.
- Integral structural support plate for mounting arm ensures strength.
- Corrosion resistant electrocoat dark bronze finish (custom colors available).
- Hinged aluminum door frame incorporates stainless steel hardware.
- Continuous silicone gasketing surrounds optics for weather - tight seal.
- Correlated Color Temperature of (5000°K) for greater visibility and safety.
- High Output COB LED's with borosilicate glass lens optics.
- High power factor, low THD driver with 6kV/3kA surge protection. Optional 20kV/10kA surge protector available.
- InstantON flicker-free Cold Start and Hot Re-Start.
- Up to 20 years Maintenance free operation.
- 10 Year Warranty on complete fixture. (LED's, Driver, & Housing)
- **Optional:** 0-10V Dimming, Bi-Level Dimming, Wi-Fi Control, Remote Monitoring and ON/ OFF Control

### ORDERING INFORMATION

Sample Number: LED-39200-UNV-SF-850-T3-LD-BRZ  
Custom options and accessories available. Please consult factory.

Series	Wattage	Voltage	Options	Mounting	CCT	Accessories	Optics	Color
<b>LED-39</b> = Flood Area/Parking Fixture	<b>180</b> = 180 W <b>200</b> = 200 W <b>260</b> = 260 W <b>320</b> = 320 W	<b>UNV</b> = 120-277 VAC <b>347V</b> = 347 VAC <b>480V</b> = 480 VAC	<b>0-10VDIM</b> = 0-10V Dimming <b>BL-DIM</b> = Bi-Level Dimming * * Includes Motion Sensor	<b>SF</b> = Slip-Fitter Mount <b>YK</b> = Yoke Bracket Mount * See Pg. 2 for mounting options	<b>830</b> = 3000°K <b>835</b> = 3500°K <b>841</b> = 4100°K <b>850</b> = 5000°K <b>AMB</b> = Amber (585-595nm)	<b>LD</b> = Twistlock Photocell <b>MD</b> = Motion Sensor ON/OFF <b>SP</b> = 20kV/10kA surge protector <b>FSGS</b> = Front Side Glare Shield <b>BSGS</b> = Front Side Glare Shield <b>FSP-211</b> = Wattstopper Sensor (used with bi-level dimming option)	<b>T3</b> = Type 3 <b>T5</b> = Type 5	<b>BRZ</b> = Bronze * Custom Colors Available



lightinnovations@work™

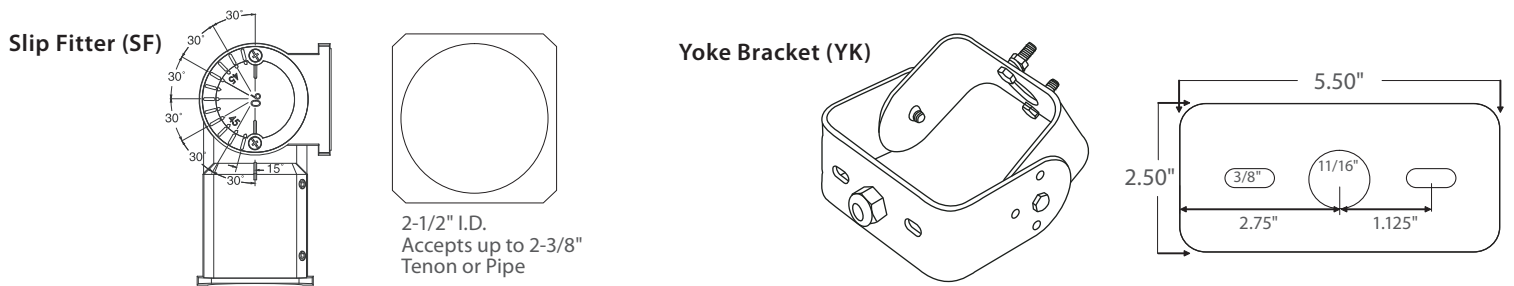
### PRODUCT INFORMATION

Model No.	Description	Input Watts	Delivered Lumens	Universal Line Voltage (VAC)	Max Line Current (Amp) @ 120 - 277	THD	Power Factor	Weight
LED-39180-UNV	LED Area/Flood Fixture	182	23,290	120-277	1.57 - 0.68	<15%	>0.95	45 lbs
LED-39200-UNV	LED Area/Flood Fixture	202	26,000	120-277	1.74 - 0.75	<15%	>0.95	45 lbs
LED-39260-UNV	LED Area/Flood Fixture	262	33,500	120-277	2.29 - 0.98	<15%	>0.95	45 lbs
LED-39320-UNV	LED Area/Flood Fixture	322	40,500	120-277	2.79 - 1.21	<15%	>0.95	45 lbs

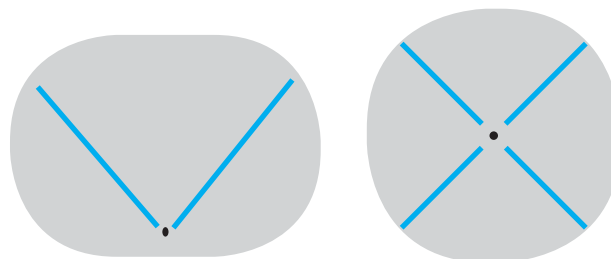
### SPECIFICATIONS

- Driver ..... Constant Current
- Start Method ..... InstantON
- Hot Re-start ..... InstantON
- Driver UL Rating ..... Class 1
- Driver UL Outdoor Rated ..... Wet Location
- Sound Rating ..... Class A
- ANSI Surge Protection ..... IEEE C62.41 C High
- Current Crest Factor ..... 1.5 maximum
- Load Regulation: 5% output current variation across load range
- Line Regulation: 1% output voltage variation across voltage range
- Driver Off-State Draw ..... 0 Watts
- Vibration Compliance ..... 3G
- Universal Input Line Voltage ..... 120-277 VAC
- Input Line Frequency ..... 50/60 Hz
- Projected (L70) @ 25°C ..... > 100,000 hrs.
- Color Temperature ..... Multiple (± 300°K)
- Color Rendering Index (CRI) ..... > 80
- Minimum Starting Temperature ..... -40°C
- Maximum Starting Temperature ..... +50°C
- Lumens per Watt ..... > 125
- Shock / Vibration Resistant ..... Yes
- Power Factor ..... > 0.95
- Total Harmonic Distortion ..... < 15%
- Inrush Current Peak ..... < 10 Amp
- FCC Compliance ..... Part 15, Subp. C
- EPA Rating ..... 1.70 ft.<sup>2</sup>
- Driver IP Rating ..... IP67
- Optics IP Rating ..... IP68
- Warranty ..... 10 Year

### MOUNTING OPTIONS



### PHOTOMETRICS (See Complete IES File)



Type 3 Distribution

Type 5 Distribution

Neptun Light, Inc.  
 13950 Business Center Drive  
 Lake Forest, IL 60045  
 Fax: 847.735.8004

Neptun Light, Inc. reserves the right to change materials or modify the design of its product without notification as part of the company's continuing product improvement program.  
 ©2002-2018 Neptun Light, Inc. All rights reserved. Spec. Rev. 1-2018