

Incredible **50,000 hrs**

GENERAL DESCRIPTION

Neptun's Security /Barn Light Fixture is suitable for a variety of outdoor applications. The LED 20 series Security Light features an integrated photocell for Dusk-to-Dawn On/Off control. It can replace existing HID & HPS fixtures up to 150W.

APPLICATION



- Street Lighting
- Alley Lighting
- Work Yard Lighting
- Parking Lot Lighting
- Security Lighting
- Barn Lighting
- Area Lighting
- Walkway Lighting

STRUCTURE, MATERIALS, & FEATURES

- Heavy-gauge, die-cast aluminum housing.
- Heat and impact resistant, UV protected, non yellowing drop lens.
- Corrosion resistant electrocoat dark bronze finish.
- Slip Fitter mount accepts 1-1/2" - 1-5/8" Round Pipe or Tenon (arm included)
- NEMA Photocell for Dusk-to-Dawn On/Off control included.
- High Output LED's.
- High power factor, low THD driver with 6kV/3kA surge protection.
- Instant-On flicker-free Cold Start and Hot Re-Start.
- Up to 15 year maintenance free operation.
- 5 Year Warranty.
- **Optional:** DC 24V Operation - Solar Compatible

ORDERING INFORMATION

Sample Number: LED-20030-UNV-850-ARM-BRZ
Custom options and accessories available. Please consult factory

Series	Wattage	Voltage	Color Temp	Options	Color
LED-20 = Dusk-to-Dawn Light	030 = 30 W 050 = 50 W	UNV = 120-277 VAC 24VDC = 24VDC	830 = 3000°K 841 = 4100°K 850 = 5000°K	ARM = Extension Mounting Arm Option 	BRZ = Bronze Finish 



PRODUCT INFORMATION

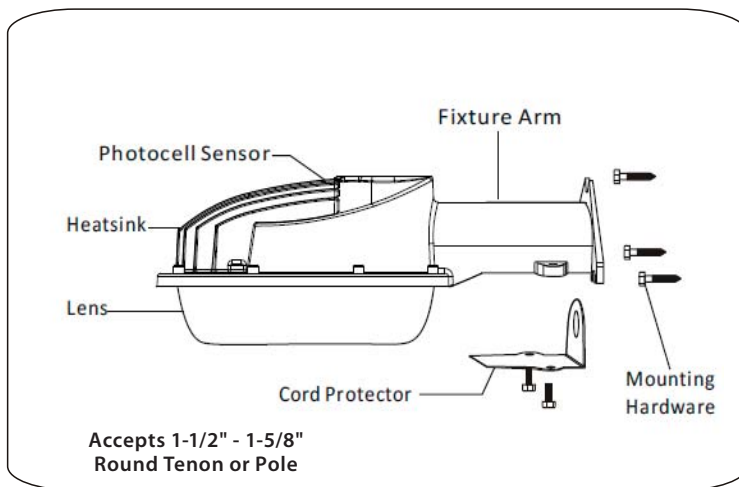
Model No.	Description	Input Watts	Delivered Lumens	Universal Line Voltage (VAC)	Max Line Current (Amp) @ 120 - 277	THD	Power Factor	Weight
LED-20030-UNV	LED Security Fixture	30	3,900	120-277	0.26 - 0.11	<15%	>0.95	7 lbs
LED-20050-UNV	LED Security Fixture	50	6,500	120-277	0.43 - 0.18	<15%	>0.95	7 lbs

SPECIFICATIONS

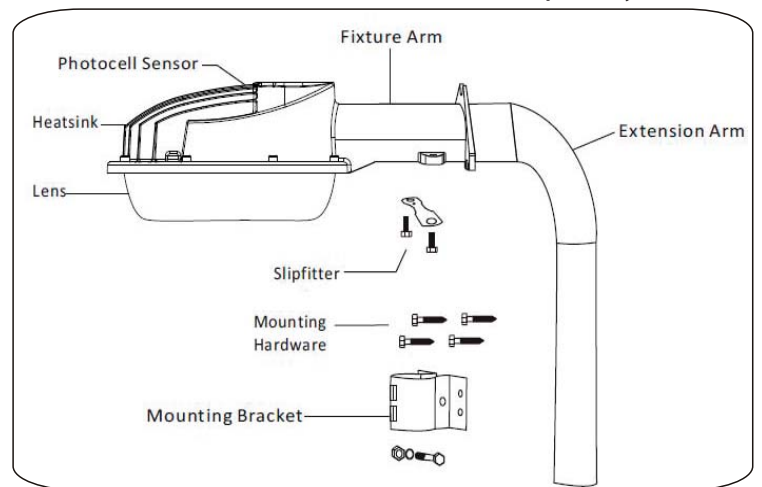
- Driver Constant Current
- Start Method InstantON
- Hot Re-start InstantON
- Driver UL Rating Class 1
- Driver UL Outdoor Rated Wet Location
- Sound Rating Class A
- ANSI Surge Protection IEEE C62.41 C High
- Current Crest Factor 1.5 maximum
- Load Regulation: 5% output current variation across load range
- Line Regulation: 1% output voltage variation across voltage range
- Driver Off-State Draw 0 Watts
- Vibration Compliance 3G
- Universal Input Line Voltage 120-277 VAC
- Input Line Frequency 50/60 Hz
- Color Temperature Multiple ($\pm 300^{\circ}\text{K}$)
- Color Rendering Index (CRI) > 80
- Minimum Starting Temperature -30°C
- Maximum Starting Temperature $+50^{\circ}\text{C}$
- Lumens per Watt > 130
- Shock / Vibration Resistant Yes
- Power Factor > 0.95
- Total Harmonic Distortion < 15%
- Inrush Current Peak < 10 Amp
- FCC Compliance Part 15, Subp. C
- EPA Rating 0.56 ft.²
- Housing IP Rating IP66
- Driver IP Rating IP67
- Warranty 5 Year

MOUNTING OPTIONS

Pole or Wall Mount



Arm Mount (Extension Arm sold separately)



Neptun Light, Inc.
13950 Business Center Drive
Lake Forest, IL 60045
Fax: 847.735.8004

Neptun Light, Inc. reserves the right to change materials or modify the design of its product without notification as part of the company's continuing product improvement program.
©2002-2018 Neptun Light, Inc. All rights reserved.

Spec. Rev. 1-2018