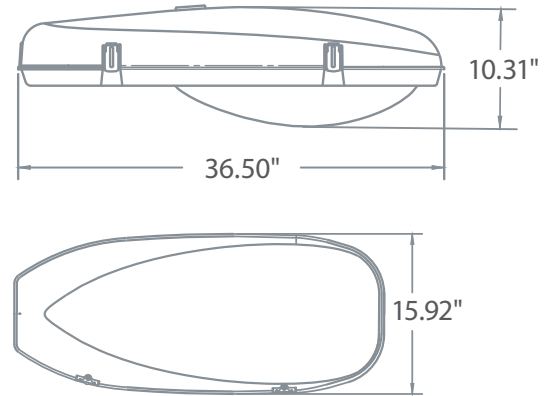


### 24VDC OPERATION



## Incredible OFF GRID Operation

### GENERAL DESCRIPTION

Neptun's 36" Induction cobra head fixtures combine architectural form and versatility to make it an excellent choice for new construction or retrofit applications. The 85 series street light fixture is offered in a variety of wattages to provide maximum flexibility in all types of applications. The 24 Volt DC driver allows for compatible use with Solar or Wind powered systems. It can replace existing HID fixtures up to 250W.

### APPLICATION

- Street Lighting
- Alley Lighting
- Parking Lot Lighting
- Car Lot Lighting
- Area & Storage Lighting
- Walkway Lighting

### STRUCTURE, MATERIALS, & FEATURES

- Heavy-gauge, die-cast aluminum housing.
- Custom designed anodized aluminum reflectors for superior illuminance.
- Heat and impact resistant tempered glass lens.
- Integral structural support plate for mounting arm ensures strength.
- Corrosion resistant electrocoat dark grey finish (custom colors available).
- Hinged aluminum door frame incorporates stainless steel hardware.
- Continuous silicone gasketing surrounds lens for weather-tight seal.
- Inductively coupled rectangular induction bulb.
- High power factor, 24 Volt DC ballast.
- Instant-On flicker-free Cold Start and Hot Re-Start.
- High quality glare-free light with high CRI above (83).
- Bright white light (5000°K) for greater visibility and safety.
- Advance phosphors for high lumen output and high lumen maintenance.
- Up to 20 year maintenance free operation.
- 10 Year Warranty.

### ORDERING INFORMATION

Sample Number: 85080-24VDC-850-LD-DGRY  
 Custom options and accessories available. Please consult factory

Series	Lamp Wattage	Voltage	Color Temp	Accessories	Color
85 = 36" Cobra Head	080 = 80 W 100 = 100 W 120 = 120 W 150 = 150 W	24VDC = 24VDC	830 = 3000°K 841 = 4100°K 850 = 5000°K * * Standard	LD = NEMA Twistlock Photocell	DGRY = Dark Grey * Custom Colors Available



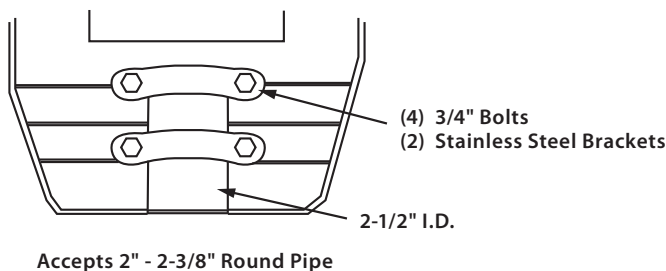
### PRODUCT INFORMATION

Model No.	Description	Rated Watts	Input Watts	Initial Lumens	Input Line Voltage (VDC)	Max Line Current (Amp)	Power Factor	Weight
85080-24VDC	Street Light Fixtures	80	82	6,400	24	3.49	0.98	32 lbs
85100-24VDC	Street Light Fixtures	100	105	8,000	24	4.37	0.98	32 lbs
85120-24VDC	Street Light Fixtures	120	125	9,600	24	5.25	0.98	32 lbs
85150-24VDC	Street Light Fixtures	150	158	12,000	24	6.56	0.98	32 lbs

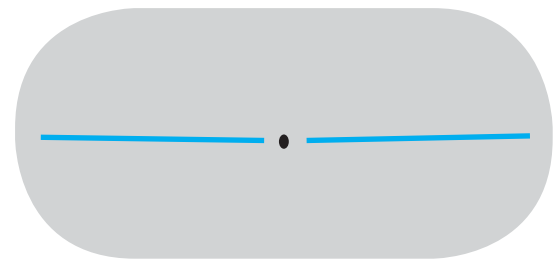
### SPECIFICATIONS

- Ballast Type ..... Electronic
- Start Method ..... InstantON
- Hot Re-start ..... InstantON
- Input Line Voltage ..... 24 VDC
- Input Line Frequency ..... 50/60 Hz
- Lamp Operating Frequency ..... 250 kHz
- Ballast Off-State Draw ..... 0 Watts
- Sound Rating ..... Class A
- Lamp / Ballast System Life ..... 100,000 Hrs.
- Lumen Maintenance @75,000Hrs ..... > 70%
- Color Temperature ..... 5000°K
- Color Rendering Index (CRI) ..... > 83
- Minimum Starting Temperature ..... -20°F
- Maximum Starting Temperature ..... 160°F
- Initial Lumens per Watt ..... 80
- Shock / Vibration Resistant ..... Yes
- Power Factor ..... > 0.98
- ETL Listed / UL Standard 1598 ..... Yes
- FCC Compliance ..... Part 18, Subp. C
- EPA Rating ..... 2.00
- IP Rating ..... IP65
- Warranty ..... 10 Year

### MOUNTING OPTIONS



### PHOTOMETRICS (See Complete IES File)



Type II Distribution

Neptun Light, Inc.  
13950 Business Center Drive  
Lake Forest, IL 60045  
Fax: 847.735.8004

Neptun Light, Inc. reserves the right to change materials or modify the design of its product without notification as part of the company's continuing product improvement program.  
©2002-2013 Neptun Light, Inc. All rights reserved. Spec. Rev. 1-2012