

Dimensions in inches

Product Type	A(max.)	B(max.)	C(max.)
20W (4')	47.8"	47.4"	47.22"
26W (4')	47.8"	47.4"	47.22"

Incredible 75,000 hrs

GENERAL DESCRIPTION

Neptun's high performance LED T8 tubes are designed for the replacement of existing T8 fluorescent lighting systems. The 88 series tubes are offered in a variety of color temperatures for flexibility in all types of applications. The frosted lens allows for an evenly illuminated glow resembling existing fluorescent tubes. Very low temperature operation saves on HVAC costs and long life greatly reduces maintenance costs. Its analog/triac dimming system allows for 100%-20% light output for increased energy savings. The self-ballasted design allows for easy installation into most commonly used T-8 system fixtures.

APPLICATION


- Office Lighting
- School Lighting
- Healthcare Lighting
- Storage Lighting

STRUCTURE, MATERIALS, & FEATURES

- Aluminum backing for excellent thermal management.
- Frosted non yellowing polycarbonate lens for even glow. (Glare Free)
- Correlated Color Temperatures of 3500°K, 4100°K, & 5000°K.
- Dimming controlled with standard Analog Dimmer.
- Mercury free design.
- No radiated EMI interference.
- 360 PCS High Output LED's.
- High power factor, low THD internal driver.
- InstantON flicker-free Cold Start and Hot Re-Start.
- Up to 15 years Maintenance free operation.
- 5 Year Warranty.

ORDERING INFORMATION

Sample Number: LED-88020-120V-ADIM-841-1P-R17D
 Custom options and accessories available. Please consult factory

Series	Wattage	Voltage	Driver System	Color Temp.	Wiring Config.	Options
LED-88 = T8 Tubes	020 = 20 W 026 = 26 W	120 = 120 VAC	ADIM = Analog Dimming	835 = 3500°K 841 = 4100°K 850 = 5000°K	1P = Single Ended 2P = Dual Ended * See Pg. 2	R17D = Recessed Double Contact Caps 



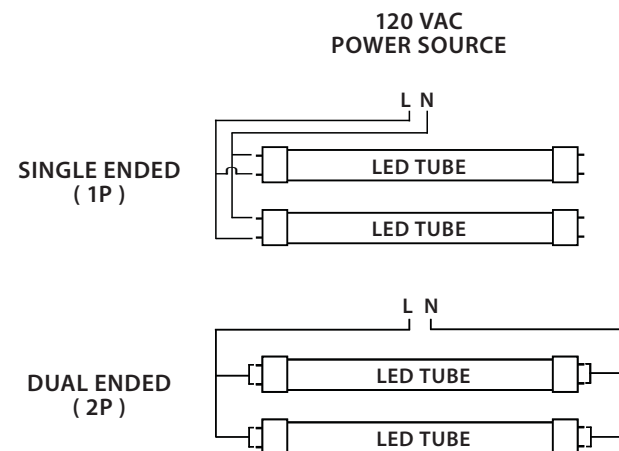
PRODUCT INFORMATION

Model No.	Watts	Input Line Current (Amp) @ 120	Power Factor	THD	CCT (°K)	CRI	Lumens	Lm/W	Nominal Length (Inch)	Base	Beam Angle
LED-88020-120V-ADIM-835	20	0.174	>0.95	<15%	3,500°	>80	2,400	120	48"	Bi-Pin	120°
LED-88020-120V-ADIM-841	20	0.174	>0.95	<15%	4,100°	>80	2,420	121	48"	Bi-Pin	120°
LED-88020-120V-ADIM-850	20	0.174	>0.95	<15%	5,000°	>80	2,440	122	48"	Bi-Pin	120°
LED-88026-120V-ADIM-835	26	0.227	>0.95	<15%	3,500°	>80	3,120	120	48"	Bi-Pin	120°
LED-88026-120V-ADIM-841	26	0.227	>0.95	<15%	4,100°	>80	3,146	121	48"	Bi-Pin	120°
LED-88026-120V-ADIM-850	26	0.227	>0.95	<15%	5,000°	>80	3,172	122	48"	Bi-Pin	120°

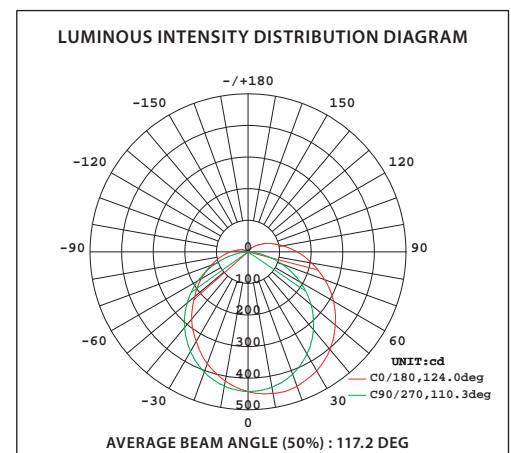
SPECIFICATIONS

- LED Driver Self-Ballasted
- Dimming System Analog/Triac
- Start Method InstantON
- Hot Re-start InstantON
- Input Line Voltage 120 VAC
- Input Line Frequency 50/60 Hz
- Driver Off-State Draw 0 Watts
- Sound Rating Class A
- LED / Driver System Life 75,000 Hrs.
- Lumen Maintenance @50,000Hrs > 70%
- Color Temperature Various
- Color Rendering Index (CRI) > 80
- Minimum Starting Temperature -35°C
- Maximum Starting Temperature 45°C
- Lumens per Watt > 120
- Shock / Vibration Resistant Yes
- Power Factor > 0.95
- Total Harmonic Distortion < 15%
- ETL Listed / UL Standard 1993 Yes
- FCC Compliance Part 15, Subp. C
- Warranty 5 Year

WIRING DIAGRAM (See Complete Installation Instructions)



PHOTOMETRICS



Neptun Light, Inc.
13950 Business Center Drive
Lake Forest, IL 60045
Fax: 847.735.8004

Neptun Light, Inc. reserves the right to change materials or modify the design of its product without notification as part of the company's continuing product improvement program.
©2002-2016 Neptun Light, Inc. All rights reserved.

Spec. Rev. 2-2018