

Incredible **100,000 hrs**

GENERAL DESCRIPTION

Neptun's Induction post top fixture features a traditional decorative style to make it an excellent choice for new construction or retrofit applications. The 90 series offers excellent illumination and uniformity. The cut-off hood allows for use in Dark Sky applications. It can replace existing HID & HPS fixtures up to 150W.

APPLICATION

- Street Lighting
- Parking Lot Lighting
- Security Lighting
- Decorative Post-Top Lighting
- Area Lighting
- Walkway Lighting

STRUCTURE, MATERIALS, & FEATURES

- Fiberglass reinforced composite housing for excellent durability and strength.
- High Efficiency, heat and impact resistant, UV protected, non-yellowing polycarbonate refractor.
- Corrosion resistant electrocoat black finish (custom colors available).
- 3" I.D. Slip Fitter Accepts up to 2-7/8" Pipe or Tenon. (hardware included)
- Continuous silicone gasketing surrounds lens for weather - tight seal.
- Inductively coupled U-Type Induction bulb.
- High power factor, low THD electronic ballast with surge protection.
- Instant-On flicker-free Cold Start and Hot Re-Start.
- High quality glare-free light with high CRI above (83).
- Bright white light (5000°K) for greater visibility and safety.
- Advance phosphors for high lumen output and high lumen maintenance.
- Up to 20 year maintenance free operation.
- 10 Year Warranty.
- **Optional:** DC 24V Operation - Solar Compatible

ORDERING INFORMATION

Sample Number: 90050-UNV-850-BLK
Custom options and accessories available. Please consult factory

| Series | Wattage | Voltage | Color Temp | Color |
|-----------------------|------------|-------------------------------------|---|--|
| 90 = Acorn / Post Top | 050 = 50 W | UNV = 120-277 VAC 24VDC = 24V DC | 830 = 3000°K 841 = 4100°K 850 = 5000°K* * Standard | BLK = Black * Custom Colors Available |



lightinnovations@work™

PRODUCT INFORMATION

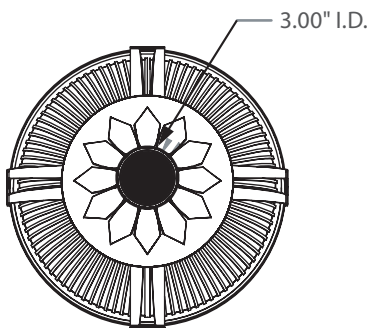
| Model No. | Description | Rated Watts | Input Watts | Initial Lumens | Universal Line Voltage (VAC) | Max Line Current (Amp) 120 - 277 | THD | Power Factor | Weight |
|-----------|------------------------|-------------|-------------|----------------|------------------------------|----------------------------------|------|--------------|--------|
| 90050-UNV | Post-Top Acorn Fixture | 50 | 51 | 4,000 | 120-277 | 0.46-0.21 | <10% | 0.98 | 28 lbs |

SPECIFICATIONS

- Ballast Type Electronic
- Start Method InstantON
- Hot Re-start InstantON
- Universal Input Line Voltage 120-277 VAC
- Input Line Frequency 50/60 Hz
- Lamp Operating Frequency 250 kHz
- Ballast Off-State Draw 0 Watts
- Sound Rating Class A
- ANSI Surge Protection Class A
- Lamp / Ballast System Life 100,000 Hrs.
- Lumen Maintenance @75,000Hrs > 70%
- Color Temperature 5000°K
- Color Rendering Index (CRI) 83
- Minimum Starting Temperature -20°F
- Maximum Starting Temperature 160°F
- Lumens per Watt 80
- Shock / Vibration Resistant Yes
- Power Factor > 0.98
- Total Harmonic Distortion < 10%
- Inrush Current Peak < 10 Amp
- ETL Listed / UL Standard 1598 Yes
- FCC Compliance Part 18, Subp. C
- IP Rating IP65
- Warranty 10 Year

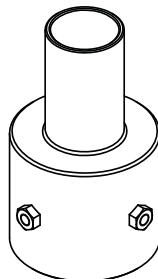
MOUNTING OPTIONS

SLIP-FIT MOUNT



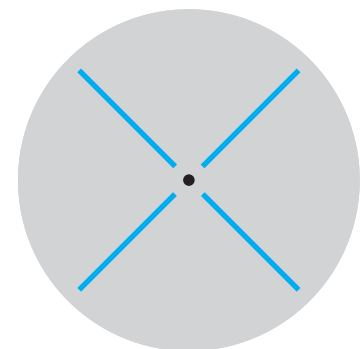
Accepts up to 2-7/8" O.D.
Round Tenon or Pole

IOP-RPTR (contact factory)



Round Pole Tenon Reducers
available for 3", 4", & 5" O.D. Poles

PHOTOMETRICS (See Complete IES File)



Type V Distribution

Neptun Light, Inc.
13950 Business Center Drive
Lake Forest, IL 60045
Fax: 847.735.8004

Neptun Light, Inc. reserves the right to change materials or modify the design of its product without notification as part of the company's continuing product improvement program.
©2002-2016 Neptun Light, Inc. All rights reserved. Spec. Rev. 4-2016