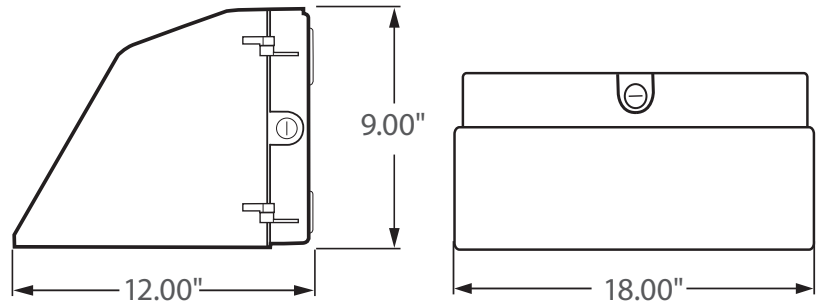




Please check latest update for complete information.  
[http://www.designlights.org/solidstate.about.QualifiedProductsList\\_Publicv2.php](http://www.designlights.org/solidstate.about.QualifiedProductsList_Publicv2.php)



## Incredible 70,000 hrs

### GENERAL DESCRIPTION

Neptun's 18" LED Full Cut-Off Type Wall Pack fixtures feature classic form and durability to make it an excellent choice for new construction or retrofit applications. Neptun's LED Wall Pack fixtures feature a bright white 5000°K color temperature for increased safety and security. It can replace existing HID & HPS fixtures up to 250 Watts.

### APPLICATION

- Building Accent Lighting
- Landscape Lighting
- Security Lighting
- Parking Lot Lighting
- Area Lighting
- Storage Area Lighting

### STRUCTURE, MATERIALS, & FEATURES

- Heavy-gauge, die-cast aluminum housing.
- Custom designed anodized aluminum reflectors for superior illuminance.
- Silicone potted heat sink for increased life.
- Heat and impact resistant flat glass lens.
- Corrosion resistant electrocoat dark bronze finish (custom colors available).
- Hinged aluminum door frame incorporates stainless steel hardware.
- Continuous silicone gasket surrounds lens for weather - tight seal.
- Correlated Color Temperature of (5000°K) for greater visibility and safety.
- High Output Cree LED's.
- High power factor, low THD driver.
- InstantON flicker-free Cold Start and Hot Re-Start.
- Up to 15 years Maintenance free operation.
- 5 Year Warranty on complete fixture. (LED's, Driver, & Housing)
- **Optional:** Bi-Level Dimming, 0-10V Dimming, Remote Monitoring and ON/ OFF Control, DC 24V Operation - Solar Compatible

### ORDERING INFORMATION

Sample Number: LED-21080FCT-UNV-0-10VDIM-850-LD-120-BRZ  
 Custom options and accessories available. Please consult factory

Series	Wattage	Lens	Voltage	Options	Color Temp	Accessories	Color
LED-21 = Wall Pack	080 = 80 W 100 = 100 W	FCT = Full Cut-Off	UNV = 120-277 VAC 347V = 347 VAC 480V = 480 VAC 24VDC = 24VDC	0-10VDIM = 0-10V Dimming BL-DIM = Bi-Level Dimming	835 = 3500°K 841 = 4100°K 850 = 5000°K* * Standard	LD-120V = Photocell 120VAC LD-277V = Photocell 277VAC MD = Motion Sensor	BRZ = Bronze * Custom Colors Available



lightinnovations@work™

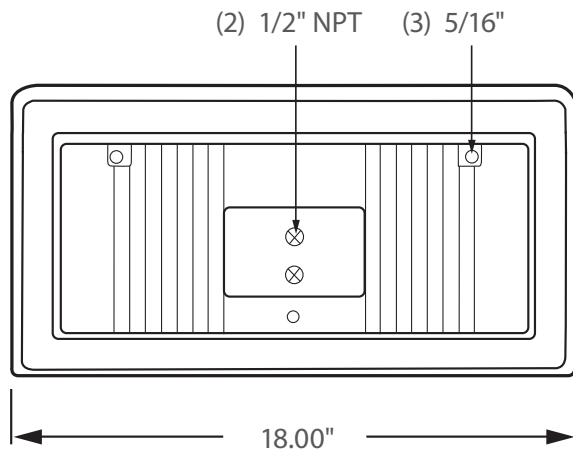
### PRODUCT INFORMATION

Model No.	Description	Rated Watts	Input Watts	Initial Lumens	Universal Line Voltage (VAC)	Max Line Current (Amp) @ 120 - 277	THD	Power Factor	Weight
LED-21080FCT-UNV	Wall Pack - Full Cut-Off	80	83	6,723	120-277	0.69 - 0.30	<20%	>0.90	20 lbs
LED-21100FCT-UNV	Wall Pack - Full Cut-Off	100	102	7,956	120-277	0.87 - 0.37	<20%	>0.90	20 lbs

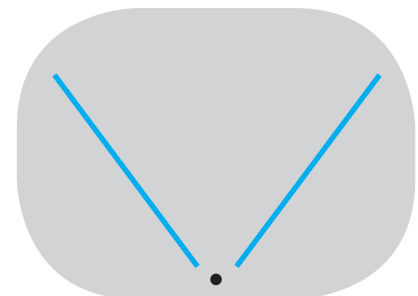
### SPECIFICATIONS

- LED Driver ..... Constant Current
- Power Supply ..... 350mA
- Start Method ..... InstantON
- Hot Re-start ..... InstantON
- Universal Input Line Voltage ..... 120-277 VAC
- Input Line Frequency ..... 50/60 Hz
- Ballast Off-State Draw ..... 0 Watts
- Sound Rating ..... Class A
- ANSI Surge Protection ..... Class A
- LED / Driver System Life ..... 70,000 Hrs.
- Lumen Maintenance @50,000Hrs ..... > 70%
- Color Temperature ..... 5000°K
- Color Rendering Index (CRI) ..... > 80
- Minimum Starting Temperature ..... -40°C
- Maximum Starting Temperature ..... 50°C
- Lumens per Watt ..... > 75
- Shock / Vibration Resistant ..... Yes
- Power Factor ..... > 0.90
- Total Harmonic Distortion ..... < 20%
- Inrush Current Peak ..... < 10 Amp
- ETL Listed / UL Standard 1598 ..... Yes
- FCC Compliance ..... Part 18, Subp. C
- IP Rating ..... IP65
- Warranty ..... 5 Year

### MOUNTING OPTIONS



### PHOTOMETRICS (See Complete IES File)



Type IV Distribution

Neptun Light, Inc.  
 13950 Business Center Drive  
 Lake Forest, IL 60045  
 Fax: 847.735.8004

Neptun Light, Inc. reserves the right to change materials or modify the design of its product without notification as part of the company's continuing product improvement program.  
 ©2002-2013 Neptun Light, Inc. All rights reserved. Spec. Rev. 4-2014