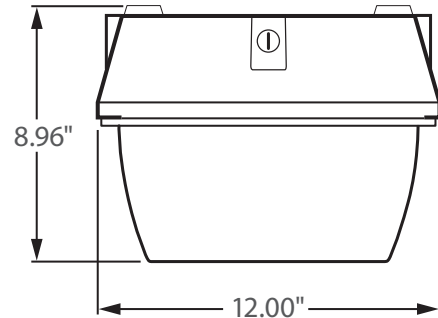


### 24VDC OPERATION



## Incredible OFF GRID Operation

### GENERAL DESCRIPTION

Neptun's 12" square canopy fixture features classic design and durability to be used in new construction or retrofit applications. The 12 series canopy fixture features excellent optics for increased visibility and security with horizontal and vertical footcandles to evenly illuminate parking garages. The 24 Volt DC driver allows for compatible use with Solar or Wind powered systems. It can replace existing HID canopy or parking garage fixtures up to 200 Watts.

### APPLICATION

- Solar Parking Garage Lighting
- Solar Canopy Lighting
- Solar Gas Station Lighting
- Solar Indoor Lighting
- Solar Storage Lighting
- Solar Security Lighting
- Solar Area Lighting

### STRUCTURE, MATERIALS, & FEATURES

- Heavy-gauge, die-cast aluminum housing.
- High efficiency, heat and impact resistant, UV protected, non yellowing polycarbonate lens / refractor.
- Custom designed anodized aluminum reflectors for superior illuminance.
- Corrosion resistant electrocoat dark bronze finish (custom colors available).
- Easy removal lens with (4) stainless steel screws.
- Continuous silicone gasketing surrounds lens for weather - tight seal.
- 260 PCS High Output LED's.
- High power factor, 24 Volt DC driver.
- Instant-On flicker-free Cold Start and Hot Re-Start.
- Bright white light (5000°K) for greater visibility and safety.
- LED engine design with Advanced Thermal Management
- Up to 15 year maintenance free operation.
- 5 Year Warranty on complete fixture. (LED's, Driver, & Housing)

### ORDERING INFORMATION

Sample Number: LED-12040-24VDC-750-BRZ  
 Custom options and accessories available. Please consult factory

Source	Series	Wattage	Color Temp	Voltage	Accessories	Color
LED = LED	12 = 12" Square Canopy	040 = 40 W 060 = 60 W 080 = 80 W	24VDC = 24 VDC	735 = 3500°K 741 = 4100°K 750 = 5000°K * * Standard	LD = Light Detector / Photocell MD = Motion Sensor Detector	BRZ = Dark Bronze * Custom Colors Available



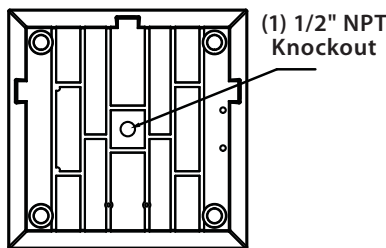
### PRODUCT INFORMATION

Model No.	Description	Rated Watts	Input Watts	Initial Lumens	Input Line Voltage (VDC)	Max Line Current (Amp)	Power Factor	Weight
LED-12040-24VDC	LED Canopy Fixture	40	42	3,500	24	1.74	>0.98	12 lbs
LED-12060-24VDC	LED Canopy Fixture	60	62	5,000	24	2.62	>0.98	12 lbs
LED-12080-24VDC	LED Canopy Fixture	80	82	6,800	24	3.49	>0.98	12 lbs

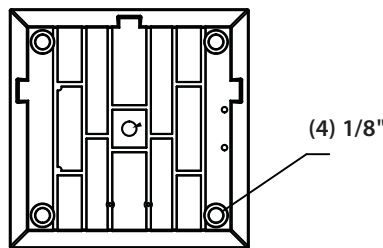
### SPECIFICATIONS

- LED Driver ..... Constant Current
- Power Supply ..... 350mA
- Start Method ..... InstantON
- Hot Re-start ..... InstantON
- Universal Input Line Voltage ..... 24 VDC
- Input Line Frequency ..... 50/60 Hz
- Driver Off-State Draw ..... 0 Watts
- Sound Rating ..... Class A
- LED / Driver System Life ..... 70,000 Hrs.
- Lumen Maintenance @50,000Hrs ..... > 70%
- Color Temperature ..... 5000°K
- Color Rendering Index (CRI) ..... >70
- Minimum Starting Temperature ..... -40°C
- Maximum Starting Temperature ..... 50°C
- Lumens per Watt ..... > 79
- Shock / Vibration Resistant ..... Yes
- Power Factor ..... > 0.98
- ETL Listed / UL Standard 1598 ..... Yes
- FCC Compliance ..... Part 18, Subp. C
- IP Rating ..... IP65
- Warranty ..... 5 Year

### MOUNTING OPTIONS

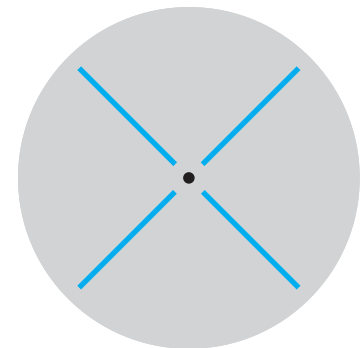


Pendant Mount



Surface Mount

### PHOTOMETRICS (See Complete IES File)



Type V Distribution

Neptun Light, Inc.  
 13950 Business Center Drive  
 Lake Forest, IL 60045  
 Fax: 847.735.8004

Neptun Light, Inc. reserves the right to change materials or modify the design of its product without notification as part of the company's continuing product improvement program.  
 ©2002-2013 Neptun Light, Inc. All rights reserved.

Spec. Rev. 1-2013