

Incredible **100,000 hrs**

## GENERAL DESCRIPTION

Neptun's Induction Round Post-top fixtures combines architectural form and versatility to make it an excellent choice for new construction or retrofit applications. The 35 series round post-top fixture is offered in a variety of wattages to provide maximum flexibility in all types of applications. It can replace existing HID & HPS fixtures up to 400W.

## APPLICATION

- Parking Lot Lighting
- Car Lot Lighting
- Area & Storage Lighting
- Street Lighting
- Walkway Lighting

## STRUCTURE, MATERIALS, & FEATURES

- Heavy-gauge, die-cast aluminum housing.
- Custom designed anodized aluminum reflectors for superior illuminance.
- Heat and impact resistant tempered bubbled glass lens.
- 3" I.D. Slip Fitter Accepts up to 2-7/8" Pipe or Tenon. (hardware included)
- Corrosion resistant electrocoat dark bronze finish. (custom colors available)
- Aluminum door frame incorporates stainless steel hardware.
- Continuous silicone gasketing surrounds lens for weather - tight seal.
- Inductively coupled circular induction bulb.
- High power factor, low THD electronic ballast with surge protection.
- Instant-On flicker-free Cold Start and Hot Re-Start.
- High quality glare-free light with high CRI above (83).
- Bright white light (5000°K) for greater visibility and safety.
- Advance phosphors for high lumen output and high lumen maintenance.
- Up to 20 year maintenance free operation with 10 Year Warranty.
- **Optional:** DC 24V Operation - Solar Compatible

## ORDERING INFORMATION

Sample Number: 35080-UNV-850-LD-BRZ  
Custom options and accessories available. Please consult factory

Series	Wattage	Voltage	Color Temp	Accessories	Color
35 = Round Post-Top	080 = 80 W 100 = 100 W 120 = 120 W 150 = 150 W 200 = 200 W	UNV = 120-277 VAC 347V = 347 VAC 480V = 480 VAC 24VDC = 24V DC * * up to 100W only	830 = 3000°K 841 = 4100°K 850 = 5000°K * * Standard	LD = Light Sensor /Photocell	BRZ = Dark Bronze * Custom Colors Available



lightinnovations@work™

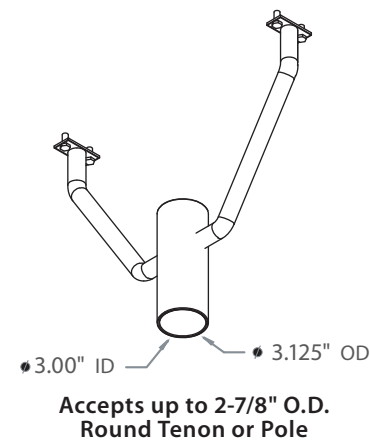
### PRODUCT INFORMATION

Model No.	Description	Rated Watts	Input Watts	Initial Lumens	Universal Line Voltage (VAC)	Max Line Current (Amp) @ 120 - 277	THD	Power Factor	Weight
35080-UNV	Round Post-Top Fixture	80	82	6,400	120-277	0.69-0.30	<10%	0.98	45 lbs
35100-UNV	Round Post-Top Fixture	100	105	8,000	120-277	0.87-0.37	<10%	0.98	45 lbs
35120-UNV	Round Post-Top Fixture	120	125	9,600	120-277	1.05-0.45	<10%	0.98	45 lbs
35150-UNV	Round Post-Top Fixture	150	158	12,000	120-277	1.31-0.56	<10%	0.98	46 lbs
35200-UNV	Round Post-Top Fixture	200	210	16,000	120-277	1.75-0.75	<10%	0.98	46 lbs

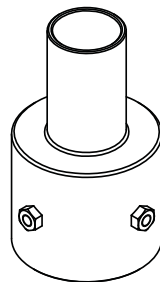
### SPECIFICATIONS

- Ballast Type ..... Electronic
- Start Method ..... InstantON
- Hot Re-start ..... InstantON
- Universal Input Line Voltage ..... 120-277 VAC
- Input Line Frequency ..... 50/60 Hz
- Lamp Operating Frequency ..... 250 kHz
- Ballast Off-State Draw ..... 0 Watts
- Sound Rating ..... Class A
- ANSI Surge Protection ..... Class A
- Lamp / Ballast System Life ..... 100,000 Hrs.
- Lumen Maintenance @75,000Hrs ..... > 70%
- Color Temperature ..... 5000°K
- Color Rendering Index (CRI) ..... 83
- Minimum Starting Temperature ..... -20°F
- Maximum Starting Temperature ..... 160°F
- Initial Lumens per Watt ..... 80
- Shock / Vibration Resistant ..... Yes
- Power Factor ..... > 0.98
- Total Harmonic Distortion ..... < 10%
- Inrush Current Peak ..... < 10 Amp
- ETL Listed / UL Standard 1598 ..... Yes
- FCC Compliance ..... Part 18, Subp. C
- EPA Rating ..... 1.30
- IP Rating ..... IP65
- Warranty ..... 10 Year

### MOUNTING OPTIONS

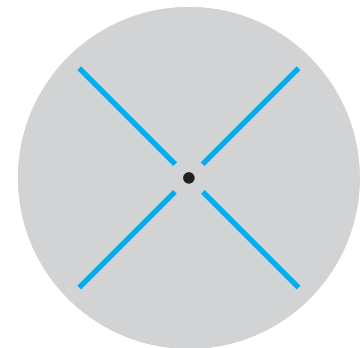


ARM:RPTR (contact factory)



Round Pole Tenon Reducers available for 3", 4", & 5" O.D. Poles

### PHOTOMETRICS (See Complete IES File)



Type V Distribution

Neptun Light, Inc.  
 13950 Business Center Drive  
 Lake Forest, IL 60045  
 Fax: 847.735.8004

Neptun Light, Inc. reserves the right to change materials or modify the design of its product without notification as part of the company's continuing product improvement program.  
 ©2002-2016 Neptun Light, Inc. All rights reserved. Spec. Rev. 4-2016