

Incredible **100,000 hrs**

GENERAL DESCRIPTION

Neptun's 32" Aluminum High-Bay fixtures combine architectural design and versatility to make it an excellent choice for new construction or retrofit applications. The 32" housing is offered in a variety of wattages to provide maximum flexibility in all types of applications. It can replace existing HID & HPS fixtures up to 1000W.

APPLICATION

- Warehouse Lighting
- Factory Lighting
- Retail Lighting
- Showroom Lighting
- Grocery Store Lighting
- Area & Storage Lighting
- Gymnasium Lighting

STRUCTURE, MATERIALS, & FEATURES

- 32" high reflectance Aluminum hood.
- Corrosion resistant die-cast aluminum gear box with white electrocoat finish.
- High efficiency, heat and impact resistant, UV protected, non yellowing polycarbonate drop lens.
- Inductively coupled circular induction bulb.
- High power factor, low THD electronic ballast with surge protection.
- Instant-On flicker-free Cold Start and Hot Re-Start.
- High quality glare-free light with high CRI above (83).
- Bright white light (5000°K) for greater visibility and safety.
- Advance phosphors for high lumen output and high lumen maintenance.
- Up to 20 year maintenance free operation.
- 10 Year Warranty.

ORDERING INFORMATION

Sample Number: 32200-UNV-850-MD-WG-C3
 Custom options and accessories available. Please consult factory

| Series | Wattage | Voltage | Color Temp | Accessories | Options |
|-------------------|---|---|---|---|--|
| 32 = 32" High-Bay | 200 = 200 W 250 = 250 W 300 = 300 W 400 = 400 W 500 = 500 W | UNV = 120-277 VAC 347V = 347 VAC 480V = 480 VAC | 830 = 3000°K 841 = 4100°K 850 = 5000°K* * Standard | MD = Motion Detector DLH = Day Light Harvest Sensor | WG = Wire Guard PL* = Polycarbonate Lens C3* = 3' Cord-No Plug (other lengths available by specifying cord length C6 = 6' cord) PC3 = 3' Cord with NEMA Plug (verify plug type when ordering) * Standard |



lightinnovations@work™

PRODUCT INFORMATION

| Model No. | Description | Rated Watts | Input Watts | Initial Lumens | Universal Line Voltage (VAC) | Max Line Current (Amp) @ 120 - 277 | THD | Power Factor | Weight |
|------------|----------------------|-------------|-------------|----------------|------------------------------|------------------------------------|------|--------------|--------|
| 32200-UNV | 32" High-Bay Fixture | 200 | 210 | 16,000 | 120-277 | 1.75-0.75 | <10% | 0.98 | 38 lbs |
| 32250-UNV | 32" High-Bay Fixture | 250 | 262 | 20,000 | 120-277 | 2.18-0.94 | <10% | 0.98 | 38 lbs |
| 32300-UNV* | 32" High-Bay Fixture | 300 | 315 | 24,000 | 120-277 | 2.62-1.31 | <10% | 0.98 | 40 lbs |
| 32400-UNV* | 32" High-Bay Fixture | 400 | 420 | 32,000 | 120-277 | 3.50-1.51 | <10% | 0.98 | 40 lbs |
| 32500-UNV* | 32" High-Bay Fixture | 500 | 525 | 40,000 | 120-277 | 4.37-1.89 | <10% | 0.98 | 40 lbs |

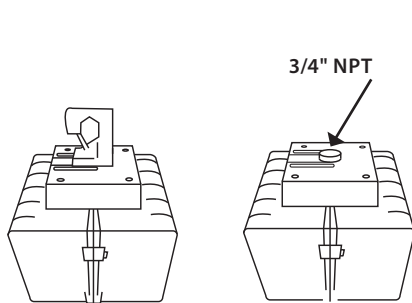
* Features dual bulbs & ballasts

SPECIFICATIONS

- Ballast Type Electronic
- Start Method InstantON
- Hot Re-start InstantON
- Universal Input Line Voltage 120-277 VAC
- Input Line Frequency 50/60 Hz
- Lamp Operating Frequency 250 kHz
- Ballast Off-State Draw 0 Watts
- Sound Rating Class A
- ANSI Surge Protection Class A
- Lamp / Ballast System Life 100,000 Hrs.
- Lumen Maintenance @75,000Hrs > 70%
- Color Temperature 5000°K
- Color Rendering Index (CRI) 83
- Minimum Starting Temperature -20°F
- Maximum Starting Temperature 160°F
- Lumens per Watt 80
- Shock / Vibration Resistant Yes
- Power Factor > 0.98
- Total Harmonic Distortion < 10%
- Inrush Current Peak < 10 Amp
- ETL Listed / UL Standard 1598 Yes
- FCC Compliance Part 18, Subp. C
- IP Rating IP43
- Warranty 10 Year

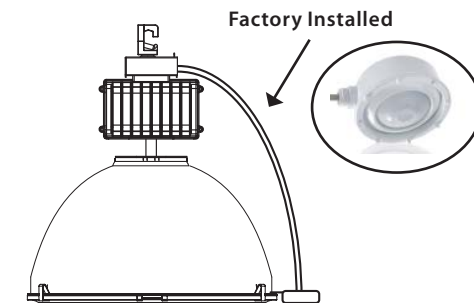
MOUNTING OPTIONS

PHOTOMETRICS (See Complete IES File)

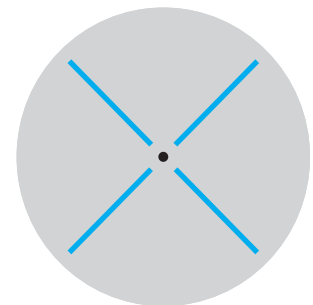


Hook Mount (Standard)

Pendant Mount



Motion Sensor (MD)
Day Light Harvest Sensor (DLH)



Type V Distribution

Neptun Light, Inc.
13950 Business Center Drive
Lake Forest, IL 60045
Fax: 847.735.8004

Neptun Light, Inc. reserves the right to change materials or modify the design of its product without notification as part of the company's continuing product improvement program.
©2002-2016 Neptun Light, Inc. All rights reserved. Spec. Rev. 4-2016