

Incredible **100,000 hrs**

GENERAL DESCRIPTION

Neptun's LED Ad-Poster™ Modular billboard fixtures combine architectural form and patented design to make it an excellent choice for retrofit or new billboard applications. The 60 PCS, High Output Cree LED's and custom engineered optics provide highly uniform illumination of various billboard sizes. It can replace existing HID billboard fixtures up to 400W.

APPLICATION

- 25' Billboard requires 1 Unit

STRUCTURE, MATERIALS, & FEATURES

- Heavy-gauge, die-cast aluminum housing.
- LED engine design with Advanced Thermal Management.
- Corrosion resistant electrocoat grey finish.
- Slim, state of the art, low profile design for minimum wind load resistance.
- Heat and impact resistant tempered flat glass lens.
- Continuous silicone gasketing surrounds optics for IP68 weather tight seal.
- 1-1/2" I.D. Slip Fitter Accepts up to 1-1/4" Pipe or Tenon. (hardware included)
- Correlated Color Temperature of (5000°K) for greater visibility.
- Patented constant light control output over 75,000 hrs. life.
- High Output LED's.
- High power factor, low THD driver with 6kV/3kA surge protection.
- InstantON flicker-free Cold Start and Hot Re-Start.
- Up to 15 years Maintenance free operation.
- 10 Year Warranty on complete fixture. (LED's, Driver, & Housing)

ORDERING INFORMATION

Sample Number: LED-87080-M2-UNV-850
 Custom options and accessories available. Please consult factory

| Series | Wattage | Voltage | Options | Color Temp. |
|------------------------------------|--|---|---|--------------|
| LED-87 = Modular Billboard Fixture | 080-M2 = 80 W 090-M2 = 90 W 100-M2 = 100 W | UNV = 120-277 VAC 347V = 347 VAC 480V = 480 VAC 24VDC = 24 VDC | 0-10VDIM = 0-10V Dimming * Contact Factory for Dimming Options | 850 = 5000°K |



lightinnovations@work™

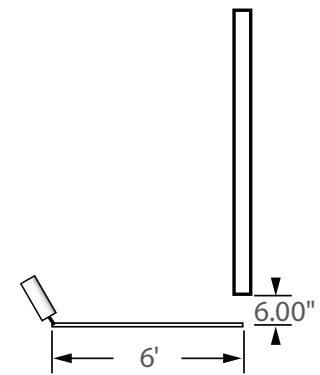
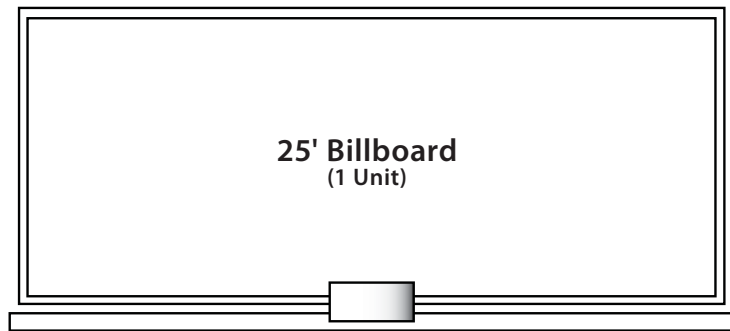
PRODUCT INFORMATION

| Model No. | Description | Rated Watts | Input Watts | Delivered Lumens | Universal Line Voltage (VAC) | Max Line Current (Amp) @ 120 - 277 | THD | Power Factor | Weight |
|------------------|-----------------------|-------------|-------------|------------------|------------------------------|------------------------------------|------|--------------|--------|
| LED-87080-M2-UNV | LED Billboard Fixture | 80 | 82 | 8,000 | 120-277 | 0.69 - 0.30 | <20% | >0.90 | 25 lbs |
| LED-87090-M2-UNV | LED Billboard Fixture | 90 | 92 | 9,000 | 120-277 | 0.78 - 0.34 | <20% | >0.90 | 25 lbs |
| LED-87100-M2-UNV | LED Billboard Fixture | 100 | 102 | 10,000 | 120-277 | 0.87 - 0.37 | <20% | >0.90 | 25 lbs |

SPECIFICATIONS

- Driver Constant Current
- Start Method InstantON
- Hot Re-start InstantON
- Power Supply 350mA
- Driver UL Rating Class 1
- Driver UL Outdoor Rated Wet Location
- Sound Rating Class A
- ANSI Surge Protection IEEE C62.41 C High
- Inrush Current Peak < 10 Amp
- Current Crest Factor 1.5 maximum
- Load Regulation: 5% output current variation across load range
- Line Regulation: 1% output voltage variation across voltage range
- Driver Off-State Draw 0 Watts
- Vibration Compliance 3G
- Universal Input Line Voltage 120-277 VAC
- Input Line Frequency 50/60 Hz
- Projected (L70) @ 25°C > 100,000 hrs.
- Color Temperature 5,000°K
- Color Rendering Index (CRI) > 80
- Minimum Starting Temperature -40°C
- Maximum Starting Temperature +50°C
- Lumens per Watt > 100
- Power Factor > 0.90
- Total Harmonic Distortion < 20%
- FCC Compliance Part 15, Subp. C
- Housing IP Rating IP65
- Driver IP Rating IP67
- Optics IP Rating IP68
- Warranty 10 Year

COVERAGE RECOMMENDATIONS



MOUNTING OPTIONS

Slip Fitter



1-1/2" I.D.
Accepts up to 1-1/4"
Round or Square Pole

FOR BEST RESULTS

- Fixtures should be mounted at least 6 ft. from the surface of the board
- Fixtures should be mounted at 30° pre-adjusted at factory.

Neptun Light, Inc.
13950 Business Center Drive
Lake Forest, IL 60045
Fax: 847.735.8004

Neptun Light, Inc. reserves the right to change materials or modify the design of its product without notification as part of the company's continuing product improvement program.
©2002-2016 Neptun Light, Inc. All rights reserved.

Spec. Rev. 7-2016