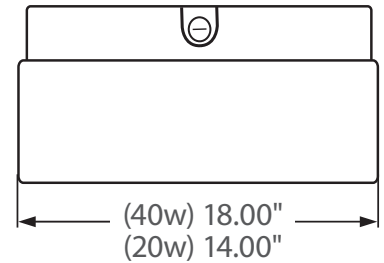
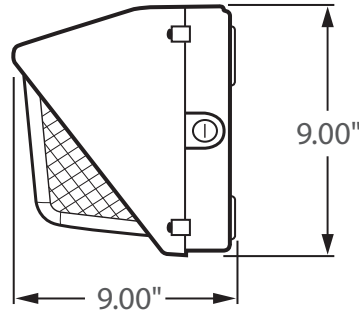


Emergency Battery Backup



Incredible **100,000** hrs

GENERAL DESCRIPTION

Neptun's LED Flood type Wall Pack fixtures feature classic form and durability to make it an excellent choice for new construction or retrofit applications. LED-21 series fixtures feature high output LED's and custom engineered optics to provide excellent uniformity and efficiency. It can replace existing HID & HPS fixtures up to 250 Watts. 90min Emergency Battery Backup system included.

APPLICATION

- Building Accent Lighting
- Landscape Lighting
- Security Lighting
- Parking Lot Lighting
- Area Lighting
- Storage Area Lighting
- Stairwell Lighting
- Passageway Lighting

STRUCTURE, MATERIALS, & FEATURES

- Heavy-gauge, die-cast aluminum housing.
- Heat and impact resistant borosilicate glass lens.
- Corrosion resistant electrocoat dark bronze finish (custom colors available).
- Hinged aluminum door frame incorporates stainless steel hardware.
- Continuous silicone gasket surrounds lens for weather - tight seal.
- High Output COB LED's with borosilicate glass lens optics.
- High power factor, low THD driver with 6kV/3kA surge protection.
 - Optional 20kV/10kA surge protector available.
- InstantON flicker-free Cold Start and Hot Re-Start.
- Up to 20 years Maintenance free operation.
- 5 Year Warranty on complete fixture. (LED's, Driver, & Housing)
- **90min Emergency Battery Backup system during power outages.**

ORDERING INFORMATION

Sample Number: LED-21040FLD-UNV-EM-BB-850-LD-120-BRZ
 Custom options and accessories available. Please consult factory

Series	Wattage	Lens	Driver System	Color Temp	Accessories	Color
LED-21 = Wall Pack	020 = 20 W 040 = 50 W	FLD = Flood Type	UNV-EM-BB = 120-277 VAC w/ Emergency Battery Backup System (90 Min.)	830 = 3000°K 835 = 3500°K 841 = 4100°K 850 = 5000°K AMB = Amber (585-595nm)	LD-120V = Photocell 120VAC LD-277V = Photocell 277VAC MD = Motion Sensor SP = 20kV/10kA surge protector	BRZ = Bronze * Custom Colors Available



lightinnovations@work™

PRODUCT INFORMATION

Model No.	Description	Input Watts	Delivered Lumens	Universal Line Voltage (VAC)	Max Line Current (Amp) @ 120 - 277	THD	Power Factor	Weight
LED-21020FLD-UNV	Wall Pack - EM	21	2,400	120-277	0.22 - 0.08	<15%	>0.95	12 lbs
EM-BB	5w Battery Backup	5.2	582					
LED-21040FLD-UNV	Wall Pack - EM	41	4,600	120-277	0.48 - 0.20	<15%	>0.95	20 lbs
EM-BB	10w Battery Backup	10.2	1,140					

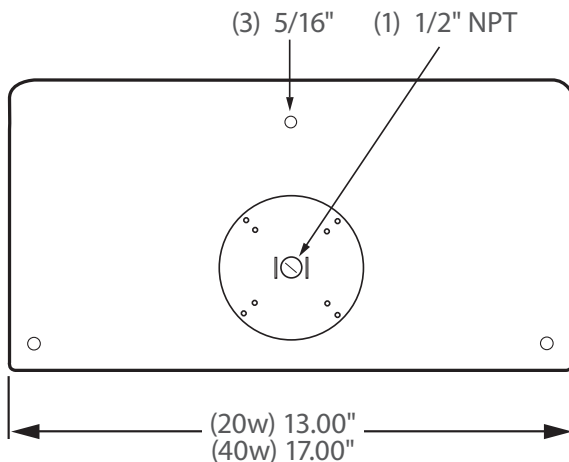
SPECIFICATIONS

- Driver Constant Current
- Start Method InstantON
- Hot Re-start InstantON
- Driver UL Rating Class 1
- Driver UL Outdoor Rated Wet Location
- Sound Rating Class A
- ANSI Surge Protection IEEE C62.41 C High
- Driver Off-State Draw 0 Watts
- Universal Input Line Voltage 120-277 VAC
- Input Line Frequency 50/60 Hz
- Projected (L70) @ 25°C > 100,000 hrs.
- Color Temperature Multiple (± 300°K)
- Color Rendering Index (CRI) > 80
- Minimum Starting Temperature -40°C
- Maximum Starting Temperature +50°C
- Lumens per Watt > 110
- Shock / Vibration Resistant Yes
- Power Factor > 0.95
- Total Harmonic Distortion < 15%
- Inrush Current Peak < 10 Amp
- FCC Compliance Part 15, Subp. C
- ETL Listed / UL Standard 1598 Yes
- Housing IP Rating IP65
- Driver IP Rating IP67
- Warranty 5 Year

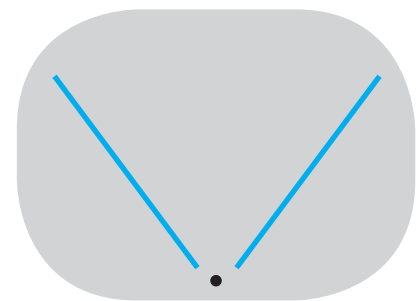
SPECIFICATIONS (EMERGENCY BACKUP)

- LED Driver Constant Current
- 5w Output Current 500mA
- 15w Output Current 1200mA
- Output Voltage 40VDC
- Ta 40°C
- Tc 70°C
- Emergency Time 90 mins.
- Charging Time ≥24 hours

MOUNTING OPTIONS



PHOTOMETRICS (See Complete IES File)



Type IV Distribution

Neptun Light, Inc.
13950 Business Center Drive
Lake Forest, IL 60045
Fax: 847.735.8004

Neptun Light, Inc. reserves the right to change materials or modify the design of its product without notification as part of the company's continuing product improvement program.
©2002-2018 Neptun Light, Inc. All rights reserved.

Spec. Rev. 1-2018