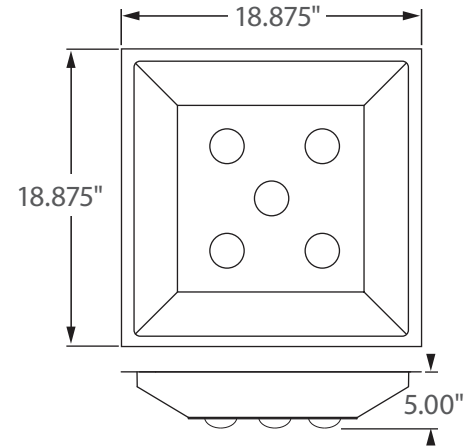




Not all products are qualified on the DLC QPL. To view our DLC qualified products, please consult the DLC Qualified Products List at www.designlights.org/qpl

** AVAILABLE **

0 - 10V
FULL DIMMING



Incredible **100,000 hrs**

GENERAL DESCRIPTION

Neptun's LED gas station / canopy fixture features an architectural design and durability to be used in new construction or retrofit applications. The LED-22 series fixture features excellent optics for increased visibility and security. Can replace existing HID & HPS canopy or parking garage fixtures up to 320 Watts.

APPLICATION

- Gas Station Lighting
- Canopy Lighting
- Walkway Lighting
- Drive-Thru Canopy Lighting
- Storage Lighting

STRUCTURE, MATERIALS, & FEATURES

- Heavy-gauge, die-cast aluminum housing.
- Internal aluminum cooling fin heat sink for excellent thermal management.
- Corrosion resistant electrocoat white finish (custom colors available).
- Continuous silicone gasket surrounds lens for weather - tight seal.
- High Output COB LED's with borosilicate glass lens optics.
- High power factor, low THD driver with 6kV/3kA surge protection. Optional 20kV/10kA surge protector available.
- Instant-On flicker-free Cold Start and Hot Re-Start.
- Bright white light (5000°K) for greater visibility and safety.
- LED engine design with Advanced Thermal Management.
- Up to 15 year maintenance free operation.
- 10 Year Warranty on complete fixture. (LED's, Driver, & Housing)
- **Optional:** Bi-Level Dimming, 0-10V Dimming, Remote Monitoring and ON/ OFF Control, DC 24V Operation - Solar Compatible

ORDERING INFORMATION

Sample Number: LED-22100-UNV-BL-DIM-850-WHT
Custom options and accessories available. Please consult factory

Series	Wattage	Voltage	Options	Color Temp	Accessories	Color
LED-22 = Gas Station Canopy	060 = 60 W 080 = 80 W 100 = 100 W 120 = 120 W	UNV = 120-277 VAC 347V = 347 VAC 480V = 480 VAC 24VDC = 24 VDC * * Only available up to 100W	0-10VDIM = 0-10V Dimming BL-DIM = Bi-Level Dimming * * Includes Motion Sensor ** Contact Factory for dimming options	835 = 3500°K 841 = 4100°K 850 = 5000°K * * Standard	MD = Motion Detector ON/OFF SP = 20kV/10kA surge protector	WHT = White * Custom Colors Available



lightinnovations@work™

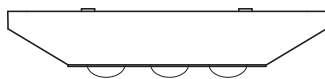
PRODUCT INFORMATION

Model No.	Description	Rated Watts	Input Watts	Delivered Lumens	Universal Line Voltage (VAC)	Max Line Current (Amp) @ 120 - 277	THD	Power Factor	Weight
LED-22060-UNV	LED Gas Station Canopy	60	62	7,200	120-277	0.52 - 0.22	<20%	>0.90	15 lbs
LED-22080-UNV	LED Gas Station Canopy	80	83	9,600	120-277	0.69 - 0.30	<20%	>0.90	15 lbs
LED-22100-UNV	LED Gas Station Canopy	100	102	12,000	120-277	0.87 - 0.37	<20%	>0.90	15 lbs
LED-22120-UNV	LED Gas Station Canopy	120	123	14,400	120-277	1.05 - 0.45	<20%	>0.90	15 lbs

SPECIFICATIONS

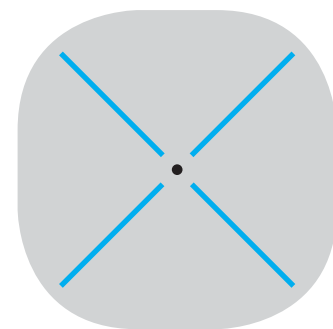
- LED Driver Constant Current
- Power Supply 350mA
- Driver UL Rating Class 1
- Driver UL Outdoor Rated Wet Location
- Start Method InstantON
- Hot Re-start InstantON
- Universal Input Line Voltage 120-277 VAC
- Input Line Frequency 50/60 Hz
- Driver Off-State Draw 0 Watts
- Sound Rating Class A
- ANSI Surge Protection IEEE C62.41 C High
- Projected (L70) @ 25°C > 100,000 hrs.
- Color Temperature 5000°K
- Color Rendering Index (CRI) > 80
- Minimum Starting Temperature -40°C
- Maximum Starting Temperature +50°C
- Lumens per Watt > 100
- Shock / Vibration Resistant Yes
- Power Factor > 0.90
- Total Harmonic Distortion < 20%
- Inrush Current Peak < 10 Amp
- FCC Compliance Part 15, Subp. C
- Lens IP Rating IP68
- Driver IP Rating IP67
- Warranty 10 Year

MOUNTING OPTIONS



Surface Mount

PHOTOMETRICS (See Complete IES File)



Type V Distribution

Neptun Light, Inc.
 13950 Business Center Drive
 Lake Forest, IL 60045
 Fax: 847.735.8004

Neptun Light, Inc. reserves the right to change materials or modify the design of its product without notification as part of the company's continuing product improvement program.
 ©2002-2016 Neptun Light, Inc. All rights reserved.

Spec. Rev. 10-2016