

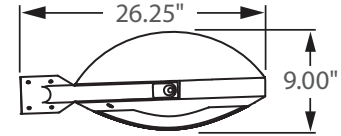
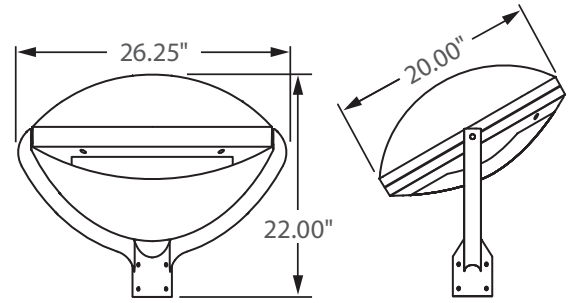
## ROUND AREA PARKING FIXTURES POST-TOP OR POLE MOUNT - ADJUSTABLE TILT



**\*\* AVAILABLE \*\***

Bi-Level Dimming  
100% 50%

0 - 10V  
FULL DIMMING



Incredible **100,000 hrs**

### GENERAL DESCRIPTION

Neptun's LED Round Area/Parking fixture combines architectural form and versatility to make it an excellent choice for new construction or retrofit applications. The LED-435 series fixture is offered in a variety of wattages to provide maximum flexibility in all types of applications. The adjustable arms allow the fixture to be angled in any direction and can be post-top or pole mounted. It can replace existing HID & HPS fixtures up to 400W.

### APPLICATION

- Parking Lot Lighting
- Car Lot Lighting
- Area & Storage Lighting
- Street Lighting
- Walkway Lighting

### STRUCTURE, MATERIALS, & FEATURES

- Heavy-gauge, die-cast aluminum housing.
- 3.125" I.D. Slip Fitter Accepts up to 3" Pipe or Tenon.
- Adjustable tilt mounting arm allows for desired angle of fixture.
- Post-top mounting system incorporates stainless steel hardware.
- Corrosion resistant electrocoat dark bronze finish. (custom colors available)
- Correlated Color Temperature of (5000°K) for greater visibility and safety.
- High Output COB LED's with borosilicate glass lens optics.
- High power factor, low THD driver with 6kV/3kA surge protection. Optional 20kV/10kA surge protector available.
- InstantON flicker-free Cold Start and Hot Re-Start.
- Up to 15 years Maintenance free operation.
- 10 Year Warranty on complete fixture. (LED's, Driver, & Housing)
- **Optional:** 0-10V Dimming, Bi-Level Dimming, Wi-Fi Control, Remote Monitoring and ON/ OFF Control, DC 24V Operation - Solar Compatible

### ORDERING INFORMATION

Sample Number: LED-435120-UNV-0-10VDIM-850-T3-MD-BRZ  
Custom options and accessories available. Please consult factory

Series	Wattage	Voltage	Options	Color Temp	Optics	Accessories	Color
LED-435 = Round Post-Top	080 = 80 W 100 = 100 W 120 = 120 W 150 = 150 W	UNV = 120-277 VAC 347V = 347 VAC 480V = 480 VAC 24VDC = 24 VDC	0-10VDIM = 0-10V Dimming BL-DIM = Bi-Level Dimming* * Includes Motion Sensor ** Contact Factory for dimming options	835 = 3500°K 841 = 4100°K 850 = 5000°K* * Standard	T3 = Type 3 T5 = Type 5	MD = Motion Sensor ON/OFF SP = 20kV/10kA surge protector FSP-211 = Wattstopper Sensor (used with bi-level dimming option)	BRZ = Bronze * Custom Colors Available



lightinnovations@work™

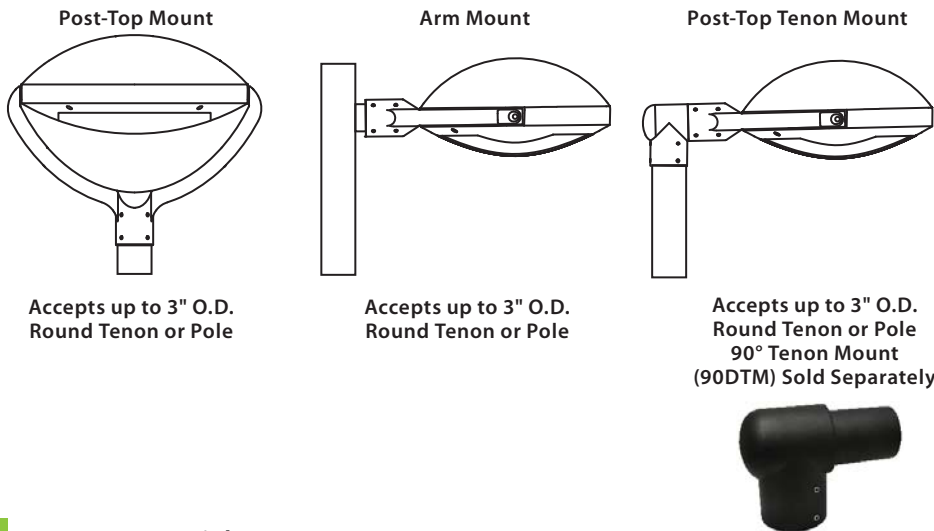
### PRODUCT INFORMATION

Model No.	Description	Rated Watts	Input Watts	Delivered Lumens	Universal Line Voltage (VAC)	Max Line Current (Amp) @ 120 - 277	THD	Power Factor	Weight
LED-435080-UNV	LED Round Area Fixture	80	82	9,600	120-277	0.69 - 0.30	<20%	>0.90	40 lbs
LED-435100-UNV	LED Round Area Fixture	100	102	12,000	120-277	0.87 - 0.37	<20%	>0.90	40 lbs
LED-435120-UNV	LED Round Area Fixture	120	122	14,400	120-277	1.05 - 0.45	<20%	>0.90	40 lbs
LED-435150-UNV	LED Round Area Fixture	150	152	18,000	120-277	1.31 - 0.56	<20%	>0.90	40 lbs

### SPECIFICATIONS

- Driver ..... Constant Current
- Start Method ..... InstantON
- Hot Re-start ..... InstantON
- Power Supply ..... 350mA
- Driver UL Rating ..... Class 1
- Driver UL Outdoor Rated ..... Wet Location
- Sound Rating ..... Class A
- ANSI Surge Protection ..... IEEE C62.41 C High
- Current Crest Factor ..... 1.5 maximum
- Load Regulation: 5% output current variation across load range
- Line Regulation: 1% output voltage variation across voltage range
- Driver Off-State Draw ..... 0 Watts
- Vibration Compliance ..... 3G
- Universal Input Line Voltage ..... 120-277 VAC
- Input Line Frequency ..... 50/60 Hz
- Projected (L70) @ 25°C ..... > 100,000 hrs.
- Color Temperature ..... 5,000°K
- Color Rendering Index (CRI) ..... > 80
- Minimum Starting Temperature ..... -40°C
- Maximum Starting Temperature ..... +50°C
- Lumens per Watt ..... > 100
- Shock / Vibration Resistant ..... Yes
- Power Factor ..... > 0.90
- Total Harmonic Distortion ..... < 20%
- Inrush Current Peak ..... < 10 Amp
- FCC Compliance ..... Part 15, Subp. C
- EPA Rating ..... 1.20 ft.<sup>2</sup>
- Driver IP Rating ..... IP67
- Optics IP Rating ..... IP68
- Warranty ..... 10 Year

### MOUNTING OPTIONS



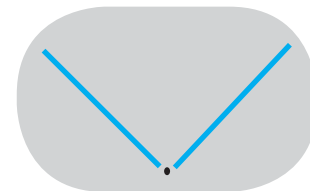
Accepts up to 3" O.D. Round Tenon or Pole

Accepts up to 3" O.D. Round Tenon or Pole

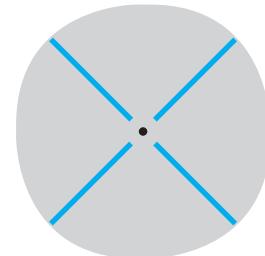
Accepts up to 3" O.D. Round Tenon or Pole 90° Tenon Mount (90DTM) Sold Separately



### PHOTOMETRICS (See Complete IES File)



Type 3 Distribution



Type 5 Distribution

Neptun Light, Inc.  
13950 Business Center Drive  
Lake Forest, IL 60045  
Fax: 847.735.8004

Neptun Light, Inc. reserves the right to change materials or modify the design of its product without notification as part of the company's continuing product improvement program.  
©2002-2016 Neptun Light, Inc. All rights reserved.

Spec. Rev. 1-2017