

Incredible **100,000 hrs**

GENERAL DESCRIPTION

Neptun's 24" Induction Round Post-Top fixture combines classic form and versatility to make it an excellent choice for new construction or retrofit applications. The 58 series square post-top fixture is offered in a variety of wattages to provide maximum flexibility in all types of applications. It can replace existing HID & HPS fixtures up to 1000W.

APPLICATION

- Parking Lot Lighting
- Car Lot Lighting
- Area & Storage Lighting
- Street Lighting
- Walkway Lighting

STRUCTURE, MATERIALS, & FEATURES

- Heavy-gauge, stainless steel housing.
- Custom designed anodized aluminum reflectors for superior illuminance.
- Heat and impact resistant tempered flat glass lens. (IESNA full-cutoff)
- 3.38" I.D. Slip Fitter Accepts up to 3" Pipe or Tenon. (hardware included)
- Corrosion resistant electrocoat dark bronze finish (custom colors available).
- Stainless steel door frame incorporates stainless steel hardware.
- Continuous silicone gasketing surrounds lens for weather - tight seal.
- Inductively coupled circular induction bulb.
- High power factor, low THD electronic ballast with surge protection.
- Instant-On flicker-free Cold Start and Hot Re-Start.
- High quality glare-free light with high CRI above (83).
- Bright white light (5000°K) for greater visibility and safety.
- Advance phosphors for high lumen output and high lumen maintenance.
- Up to 20 year maintenance free operation with 10 Year Warranty.
- **Optional:** DC 24V Operation - Solar Compatible

ORDERING INFORMATION

Sample Number: 58200-UNV-850-LD-BRZ
 Custom options and accessories available. Please consult factory

Series	Wattage	Voltage	Color Temp	Accessories	Color
58 = Round Post-Top	200 = 200 W 250 = 250 W 300 = 300 W 400 = 400 W 500 = 500 W	UNV = 120-277 VAC 347V = 347 VAC 480V = 480 VAC	830 = 3000°K 841 = 4100°K 850 = 5000°K * * Standard	LD = Light Sensor /Photocell	BRZ = Dark Bronze * Custom Colors Available



lightinnovations@work™

PRODUCT INFORMATION

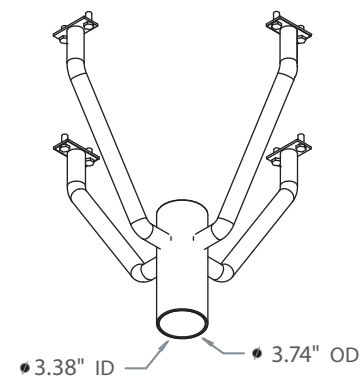
Model No.	Description	Rated Watts	Input Watts	Initial Lumens	Universal Line Voltage (VAC)	Max Line Current (Amp) @ 120 - 277	THD	Power Factor	Weight
58200-UNV	24" Round Post-Top Fixture	200	210	16,000	120-277	1.75-0.75	<10%	0.98	70 lbs
58250-UNV	24" Round Post-Top Fixture	250	262	20,000	120-277	2.18-0.94	<10%	0.98	70 lbs
58300-UNV*	24" Round Post-Top Fixture	300	315	24,000	120-277	2.62-1.13	<10%	0.98	75 lbs
58400-UNV*	24" Round Post-Top Fixture	400	420	32,000	120-277	3.50-1.51	<10%	0.98	75 lbs
58500-UNV*	24" Round Post-Top Fixture	500	525	40,000	120-277	4.37-1.89	<10%	0.98	75 lbs

* Features dual bulbs & ballasts

SPECIFICATIONS

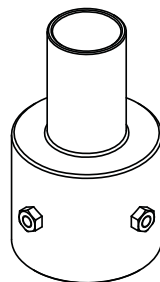
- Ballast Type Electronic
- Start Method InstantON
- Hot Re-start InstantON
- Universal Input Line Voltage 120-277 VAC
- Input Line Frequency 50/60 Hz
- Lamp Operating Frequency 250 kHz
- Ballast Off-State Draw 0 Watts
- Sound Rating Class A
- ANSI Surge Protection Class A
- Lamp / Ballast System Life 100,000 Hrs.
- Lumen Maintenance @75,000Hrs > 70%
- Color Temperature 5000°K
- Color Rendering Index (CRI) 83
- Minimum Starting Temperature -20°F
- Maximum Starting Temperature 160°F
- Initial Lumens per Watt 80
- Shock / Vibration Resistant Yes
- Power Factor > 0.98
- Total Harmonic Distortion < 10%
- Inrush Current Peak < 10 Amp
- ETL Listed / UL Standard 1598 Yes
- FCC Compliance Part 18, Subp. C
- EPA Rating 2.0
- IP Rating IP65
- Warranty 10 Year

MOUNTING OPTIONS



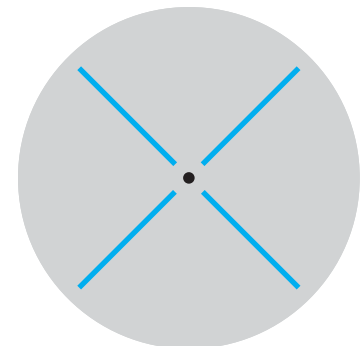
Accepts up to 3.15" O.D. Round Tenon or Pole

ARM:RPTR (contact factory)



Round Pole Tenon Reducers available for 3", 4", & 5" O.D. Poles

PHOTOMETRICS (See Complete IES File)



Type V Distribution

Neptun Light, Inc.
13950 Business Center Drive
Lake Forest, IL 60045
Fax: 847.735.8004

Neptun Light, Inc. reserves the right to change materials or modify the design of its product without notification as part of the company's continuing product improvement program.
©2002-2016 Neptun Light, Inc. All rights reserved. Spec. Rev. 4-2016