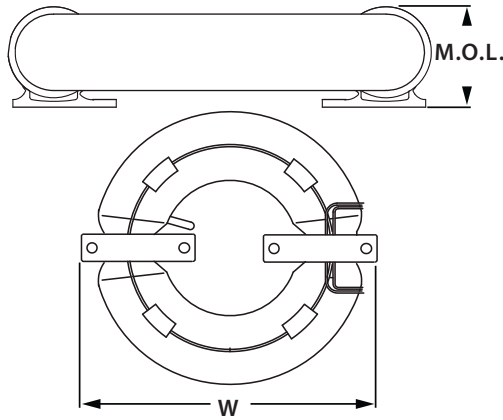


### 24VDC OPERATION



#### Bulb Dimensions

Wattage	M.O.L.	Width
40W	3.00 in.	7.00 in.
80W	3.25 in.	9.75 in.
100W	3.25 in.	9.75 in.
120W	3.25 in.	9.75 in.
150W	3.50 in.	13.00 in.

## Incredible OFF GRID Operation

### GENERAL DESCRIPTION

Neptun's Induction circle bulb retrofit kits are designed for replacing existing HID systems in indoor and outdoor lighting fixtures. The NICT series kit is offered in a variety of wattages and the universal mounting position makes it an excellent choice for a variety of applications. The 24 Volt DC driver allows for compatible use with Solar or Wind powered systems. It can replace existing HID lighting systems up to 250W.

### APPLICATION

- Canopy Fixtures
- Shoebox Fixtures
- Area Lighting Fixtures

### STRUCTURE, MATERIALS, & FEATURES

- Custom designed aluminum heat sink for superior thermal management.
- Supplied with medium 2 leg mounting arms.
- Teflon coated wiring protected from moisture, dust, heat, & cold.
- Inductively coupled circular induction bulb.
- High power factor, 24 Volt DC ballast.
- Instant-On flicker-free Cold Start and Hot Re-Start.
- Amalgam technology with very low mercury content. (Less than 4 mg)
- High quality glare-free light with high CRI (83).
- Bright white light (5000°K) for greater visibility and safety.
- Advance phosphors for high lumen output and high lumen maintenance.
- Up to 20 year maintenance free operation.
- 5 Year System Warranty.

### ORDERING INFORMATION

Sample Number: NICT-040RK-24VDV-850  
 Custom options and accessories available. Please consult factory

Type	Lamp Wattage	System	Voltage	Color Temp
NICT = Circle Type	040 = 40 W 080 = 80 W 100 = 100 W 120 = 120 W 150 = 150 W	RK = Retrofit Kit * Bulb & Ballast	24VDC = 24 VDC	830 = 3000°K 841 = 4100°K 850 = 5000°K * * Standard



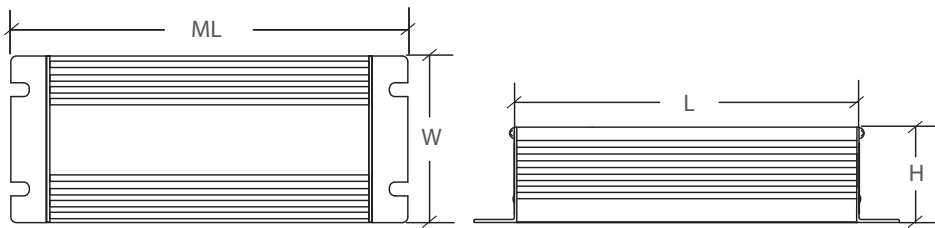
### PRODUCT INFORMATION

Model No.	Description	Rated Watts	Input Watts	Initial Lumens	Input Line Voltage (VDC)	Max Line Current (Amp)	Power Factor	Weight
NICT-040RK-24VDC	Circular RetroFit Kit	40	41	3,200	24	1.74	0.98	3 lbs
NICT-080RK-24VDC	Circular RetroFit Kit	80	82	6,400	24	3.49	0.98	3 lbs
NICT-100RK-24VDC	Circular RetroFit Kit	100	105	7,000	24	4.37	0.98	3 lbs
NICT-120RK-24VDC	Circular RetroFit Kit	120	125	9,600	24	5.25	0.98	3 lbs
NICT-150RK-24VDC	Circular RetroFit Kit	150	158	12,000	24	6.56	0.98	4 lbs

### SPECIFICATIONS

- Ballast Type ..... Electronic
- Start Method ..... InstantON
- Hot Re-start ..... InstantON
- Input Line Voltage ..... 24 VDC
- Input Line Frequency ..... 50/60 Hz
- Lamp Operating Frequency ..... 250 kHz
- Ballast Off-State Draw ..... 0 Watts
- Sound Rating ..... Class A
- ANSI Surge Protection ..... Class A
- Lamp / Ballast System Life ..... 100,000 Hrs.
- Lumen Maintenance @75,000Hrs ..... > 70%
- Color Temperature ..... 5000°K
- Color Rendering Index (CRI) ..... 83
- Minimum Starting Temperature ..... -20°F
- Maximum Starting Temperature ..... 160°F
- Lumens per Watt ..... 80
- Shock / Vibration Resistant ..... Yes
- Power Factor ..... > 0.98
- ETL Listed / UL Standard 1598 ..... Yes
- FCC Compliance ..... Part 18, Subp. C
- Warranty ..... 5 Year

### BALLAST DIMENSIONS



Wattage	M.L.	W	L	H
40W	6.00 in.	3.00 in.	5.25 in.	1.75 in.
80W	6.00 in.	3.00 in.	5.25 in.	1.75 in.
100W	6.00 in.	3.00 in.	5.25 in.	1.75 in.
120W	7.50 in.	4.50 in.	6.25 in.	2.00 in.
150W	7.50 in.	4.50 in.	6.25 in.	2.00 in.

### RECOMMENDED APPLICATION FIXTURES



\* Contact Factory for Application Verification.

Neptun Light, Inc.  
13950 Business Center Drive  
Lake Forest, IL 60045  
Fax: 847.735.8004

Neptun Light, Inc. reserves the right to change materials or modify the design of its product without notification as part of the company's continuing product improvement program.  
©2002-2013 Neptun Light, Inc. All rights reserved.

Spec. Rev. 1-2013