

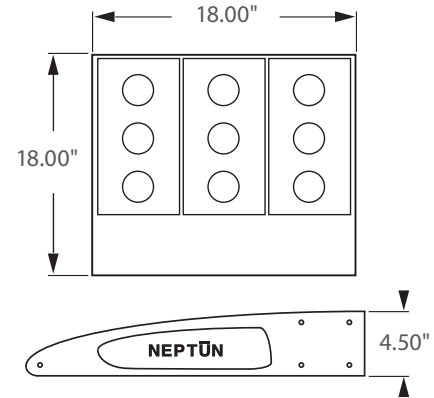


Not all products are qualified on the DLC QPL. To view our DLC qualified products, please consult the DLC Qualified Products List at www.designlights.org/qpl

** AVAILABLE **

Bi-Level Dimming
100% 50%

0 - 10V
FULL DIMMING



REPLACEMENT FOR 400W HID

Incredible 100,000 hrs

GENERAL DESCRIPTION

Neptun's LED parking lot fixtures combine architectural form and versatility to make it an excellent choice for new construction or retrofit applications. The LED-31 series fixture is offered in a variety of wattages to provide maximum flexibility in all types of applications. The High output LED's and custom engineered optics provide excellent uniformity and efficiency. It can replace existing HID & HPS fixtures up to 400W

APPLICATION

- Parking Lot Lighting
- Street Lighting
- Walkway Lighting
- Area Lighting
- Security Lighting
- Storage Area Lighting

STRUCTURE, MATERIALS, & FEATURES

- Heavy-gauge, die-cast aluminum housing.
- Corrosion resistant electrocoat grey finish (custom colors available).
- Slim, state of the art, low profile design for minimum wind load resistance.
- Continuous silicone gasket surrounds lens for weather tight seal.
- Correlated Color Temperature of (5000°K) for greater visibility and safety.
- High Output COB LED's.
- Driver with built in Neptun Surge Protective Device (NSPD) provides single phase protection for Line/Neutral, Line/Ground, and Neutral/Ground in accordance with IEEE C62.41 C High (10kV & 10kA).
- InstantON flicker-free Cold Start and Hot Re-Start.
- Up to 15 years Maintenance free operation.
- 10 Year Warranty on complete fixture. (LED's, Driver, & Housing)
- **Optional:** 0-10V Dimming, Bi-Level Dimming, Wi-Fi Control, Remote Monitoring and ON/ OFF Control

ORDERING INFORMATION

Sample Number: LED-31150-M3-UNV-0-10VDIM-SF-850-LD-T3-GRY
Custom options and accessories available. Please consult factory

Series	Wattage	Voltage	Options	Mounting	CCT	Accessories	Optics	Color
LED-31 = Area / Parking Fixture	150-M3 = 150 W 200-M3 = 200 W 260-M3 = 260 W	UNV = 120-277 VAC 347V = 347 VAC 480V = 480 VAC	0-10VDIM = 0-10V Dimming BL-DIM = Bi-Level Dimming * * Includes Motion Sensor	SA6 = 6" Side Arm SA6R = 6" Side Arm (round pole adapter) WM0 = 0" Wall Mount WM6 = 6" Wall Mount SF = Slip Fitter YK = Yoke Bracket * See Pg. 2 for mounting options	835 = 3500°K 841 = 4100°K 850 = 5000°K * * Standard	LD = Twistlock Photocell MD = Motion Sensor ON/OFF LGN = Light Genie Node ** ** Contact factory for product information	T3 = Type 3 T5 = Type 5	GRY = Grey BRZ = Bronze * Custom Colors Available



lightinnovations@work™

PRODUCT INFORMATION

Model No.	Description	Rated Watts	Input Watts	Initial Lumens	Universal Line Voltage (VAC)	Max Line Current (Amp) 120 - 277	THD	Power Factor	Weight
LED-31150-M3-UNV	LED Area Fixture	150	154	15,400	120-277	1.53 - 0.56	<20%	>0.90	35 lbs
LED-31200-M3-UNV	LED Area Fixture	200	204	20,400	120-277	2.05 - 0.75	<20%	>0.90	35 lbs
LED-31260-M3-UNV	LED Area Fixture	260	264	26,400	120-277	2.65 - 0.98	<20%	>0.90	35 lbs

SPECIFICATIONS

- Driver Constant Current
- Start Method InstantON
- Hot Re-start InstantON
- Power Supply 350mA
- Driver UL Rating Class 1
- Driver UL Outdoor Rated Wet Location
- Sound Rating Class A
- ANSI Surge Protection IEEE C62.41 C High
- Current Crest Factor 1.5 maximum
- Load Regulation: 5% output current variation across load range
- Line Regulation: 1% output voltage variation across voltage range
- Driver Off-State Draw 0 Watts
- Vibration Compliance 3G
- Universal Input Line Voltage 120-277 VAC
- Input Line Frequency 50/60 Hz
- Projected (L70) @ 25°C > 100,000 hrs.
- Color Temperature 5,000°K
- Color Rendering Index (CRI) > 80
- Minimum Starting Temperature -40°C
- Maximum Starting Temperature +50°C
- Lumens per Watt > 100
- Shock / Vibration Resistant Yes
- Power Factor > 0.90
- Total Harmonic Distortion < 20%
- Inrush Current Peak < 10 Amp
- FCC Compliance Part 15, Subp. C
- ETL Listed / UL Standard 1598 Yes
- EPA Rating 0.71 ft.²
- Housing IP Rating IP65
- Driver IP Rating IP67
- Optics IP Rating IP68
- Warranty 10 Year

MOUNTING CONFIGURATION

Wall Mount (WM6)



Arm Mount Single (SA6)



Slip Fitter Mount (SF)

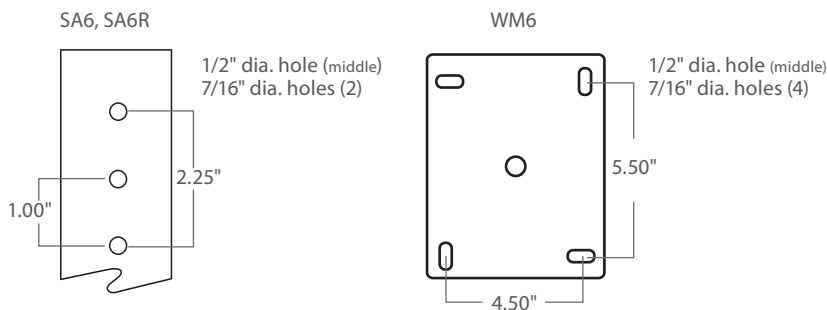


Yoke Mount (YK)

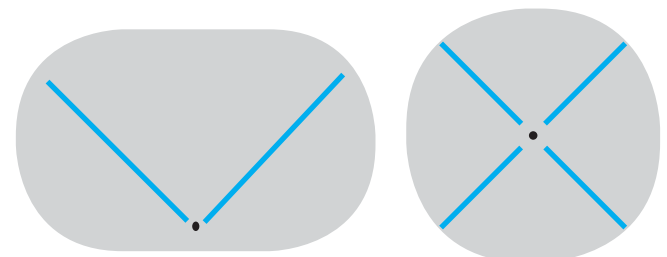


2-1/2" I.D. Accepts up to 2-3/8" Tenon or Pipe

DRILLING PATTERNS



PHOTOMETRICS (See Complete IES File)



Type 3 Distribution

Type 5 Distribution

Neptun Light, Inc.
13950 Business Center Drive
Lake Forest, IL 60045
Fax: 847.735.8004

Neptun Light, Inc. reserves the right to change materials or modify the design of its product without notification as part of the company's continuing product improvement program.
©2002-2013 Neptun Light, Inc. All rights reserved.

Spec. Rev. 4-2015