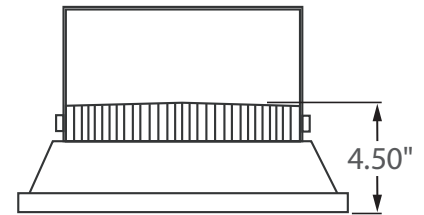
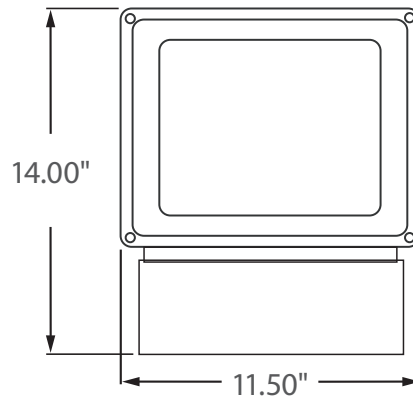


24VDC OPERATION



Incredible OFF GRID Operation

GENERAL DESCRIPTION

Neptun's LED Flood fixtures feature classic form and durability to make it an excellent choice for new construction or retrofit applications. Neptun's 50 series fixtures feature a bright white 5000°K color temperature for increased safety and security. The 24 Volt DC driver allows for compatible use with Solar or Wind powered systems. Can replace existing HID fixtures up to 150 Watts.

APPLICATION

- Solar Building Accent Lighting
- Solar Landscape Lighting
- Solar Security Lighting
- Solar Parking Lot Lighting
- Solar Area Lighting
- Solar Storage Area Lighting

STRUCTURE, MATERIALS, & FEATURES

- Heavy-gauge, die-cast aluminum housing.
- Corrosion resistant electrocoat grey finish (custom colors available).
- Heat and impact resistant frosted flat glass lens.
- Aluminum door frame incorporates stainless steel hardware.
- Adjustable yoke bracket mounting.
- Continuous silicone gasketing surrounds lens for weather - tight seal.
- Correlated Color Temperature of 5000°K for greater visibility and safety.
- 1 PCS High Output LED's
- High power factor, 24 Volt DC driver.
- InstantON flicker-free Cold Start and Hot Re-Start.
- Up to 15 years Maintenance free operation.
- 5 Year Warranty on complete fixture. (LED's, Driver, & Housing)

ORDERING INFORMATION

Sample Number: LED-50030-24VDC-750-GRY
Custom options and accessories available. Please consult factory

Source	Series	Wattage	Voltage	Color Temp	Color
LED = LED	50 = Flood Light	030 = 30 W 050 = 50 W	24VDC = 24 VDC	735 = 3500°K 741 = 4100°K 750 = 5000°K * * Standard	GRY = Grey * Custom Colors Available



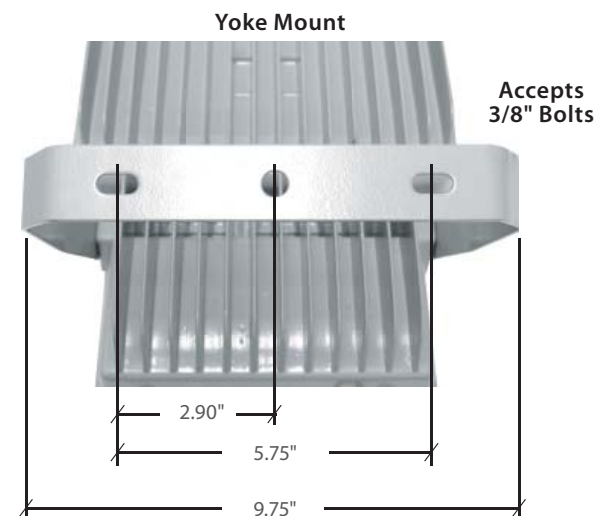
PRODUCT INFORMATION

Model No.	Description	Rated Watts	Input Watts	Initial Lumens	Input Line Voltage (VDC)	Max Line Current (Amp)	Power Factor	Weight
LED-50030-24VDC	LED Flood Fixture	30	32	2,400	24	1.31	>0.98	12 lbs
LED-50050-24VDC	LED Flood Fixture	50	52	4,000	24	2.18	>0.98	12 lbs

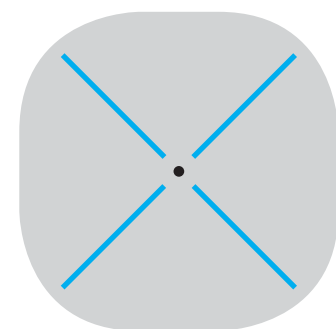
SPECIFICATIONS

- LED Driver Constant Current
- Power Supply 350mA
- Start Method InstantON
- Hot Re-start InstantON
- Input Line Voltage 24 VDC
- Input Line Frequency 50/60 Hz
- Driver Off-State Draw 0 Watts
- Sound Rating Class A
- LED / Driver System Life 70,000 Hrs.
- Lumen Maintenance @50,000Hrs > 70%
- Color Temperature 5000°K
- Color Rendering Index (CRI) > 70
- Minimum Starting Temperature -40°C
- Maximum Starting Temperature 50°C
- Lumens per Watt > 70
- Power Factor > 0.98
- Shock / Vibration Resistant Yes
- ETL Listed / UL Standard 1598 Yes
- FCC Compliance Part 18, Subp. C
- IP Rating IP65
- Warranty 5 Year

MOUNTING OPTIONS



PHOTOMETRICS (See Complete IES File)



Type V Distribution

Neptun Light, Inc.
13950 Business Center Drive
Lake Forest, IL 60045
Fax: 847.735.8004

Neptun Light, Inc. reserves the right to change materials or modify the design of its product without notification as part of the company's continuing product improvement program.
©2002-2013 Neptun Light, Inc. All rights reserved.

Spec. Rev. 1-2013