

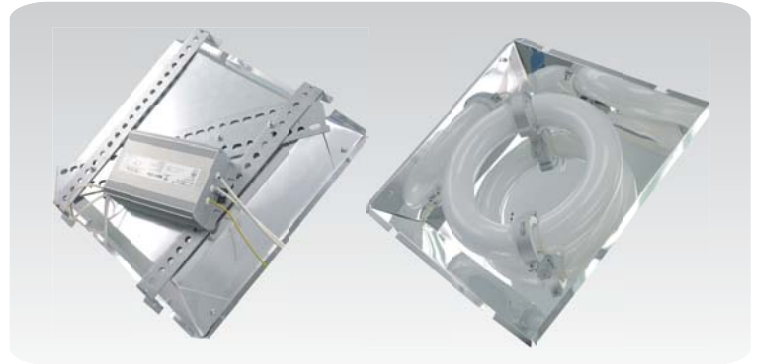
# INDUCTION - Custom Parking/Area Retrofit Kit

100,000 Hour Life

The Next Generation of Lighting



Lithonia - KAD Series



Neptun Certified Retrofit Kit  
for Lithonia Lighting - KAD Series

## Specification:

- Ballast Type	Electronic
- Start Method	InstantON™
- Hot Re-start	InstantON™
- Universal Input Line Voltage	120-277 VAC
- Input Line Frequency	50/60 Hz
- Lamp/Ballast System Life	100,000 Hrs.
- Lumen Maintenance @75,000Hrs	>70%
- Color Temperature	5000°K
- Color Rendering Index (CRI)	above 83
- Minimum Starting Temperature	-20°F
- Maximum Operating Temperature	160°F
- Lamp Operating Frequency	250 kHz
- Power Factor	> 0.98
- Total Harmonic Distortion	< 10%
- Inrush Current Peak	< 10 Amp
- FCC Compliance	Part 18, Subp. C

## Applications, Features, and Benefits

- Custom retrofit kit for the Lithonia Lighting - KAD Series fixtures
- Custom designed anodized aluminum reflector for increased illumination
- Bright White Light (5000°K) for greater visibility and safety
- High Quality - Glare Free light with CRI above 83
- Electronic Ballasts made with long life components
- InstantON flicker-free Cold Start and Hot Re-Start
- High Power Factor, Low THD Ballast technology
- Advanced phosphors for high Lumen Maintenance and high lumen output
- Made with Amalgam Technology
- Up to 20 year maintenance free operation
- Retrofit kit comes completely assembled for simple drop-in installation
- 5 year system warranty

## Product Information - Retrofit Kit (Bulb-Ballast-Reflector)

Item No.	Description	Watts	Initial Lumens	Line Voltage Supply	Line Current	Total Harmonic Distortion (THD)	Power Factor	Packaging Dimensions		
								Width	Length	Height
LLKAD-40W-RK-UNV	Custom Retrofit Kit	40	3,200	120-277 VAC	0.35-0.15 Amp	<10%	0.98	18 in. 457 mm	18 in. 457 mm	8 in. 203 mm
LLKAD-80W-RK-UNV	Custom Retrofit Kit	80	6,400	120-277 VAC	0.69-0.30 Amp	<10%	0.98	18 in. 457 mm	18 in. 457 mm	8 in. 203 mm
LLKAD-100W-RK-UNV	Custom Retrofit Kit	100	8,000	120-277 VAC	0.87-0.37 Amp	<10%	0.98	18 in. 457 mm	18 in. 457 mm	8 in. 203 mm
LLKAD-120W-RK-UNV	Custom Retrofit Kit	120	9,600	120-277 VAC	1.05-0.45 Amp	<10%	0.98	18 in. 457 mm	18 in. 457 mm	8 in. 203 mm
LLKAD-150W-RK-UNV	Custom Retrofit Kit	150	12,000	120-277 VAC	1.31-0.56 Amp	<10%	0.98	18 in. 457 mm	18 in. 457 mm	8 in. 203 mm
LLKAD-175W-RK-UNV	Custom Retrofit Kit	175	14,000	120-277 VAC	1.53-0.66 Amp	<10%	0.98	18 in. 457 mm	18 in. 457 mm	8 in. 203 mm

## Ordering Information

(SAMPLE NUMBER : LLKAD-40W-RK-UNV)

Product Weight = 5-7 lbs.

**Series**  
LLKAD = Custom Kit  
Lithonia KAD

**Wattage**  
40W = 40W  
80W = 80W  
100W = 100W  
150W = 150W  
175W = 175W

**Type**  
RK = Retrofit Kit

**Voltage**  
UNV = Universal  
480 = 480V

NEPTUN Light, Inc.  
Questions and Comments:  
service@neptunlight.com  
Toll-Free: 1-888-735-8330

© Copyright 2009  
NEPTUN Light, Inc.

**NEPTUN**  
L I G H T®

### 1.) REMOVE EXISTING COMPONENTS

- A.) Disconnect power to fixture. (It is recommended to remove fixture from pole)
- B.) Open fixture housing by removing screws on lens.
- C.) Remove existing reflector, socket, ballast, ignitor, and any other existing components.



### 2.) MOUNT NEW COMPONENTS

- A.) Wire the ballast to the power supply.
- B.) For wiring diagram, see Pg. 2
- C.) Reflector is supplied with (3) pre-drilled mounting holes.
- D.) Using the existing mounting stems as a guide (Figure A), place new reflector into housing. (Figure B)
- D.) Kit is supplied with 3 screws. Secure reflector to housing (Figure C) and reassemble lens.

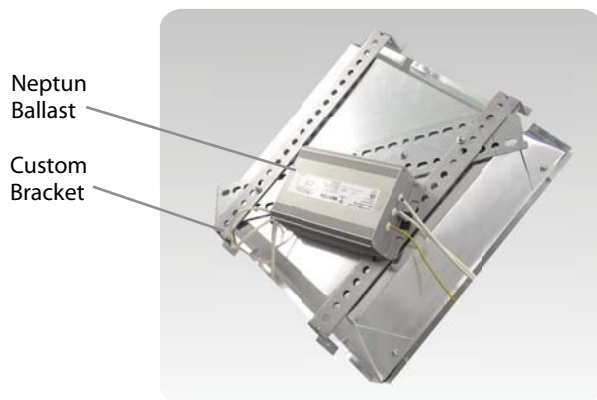


Fig.A

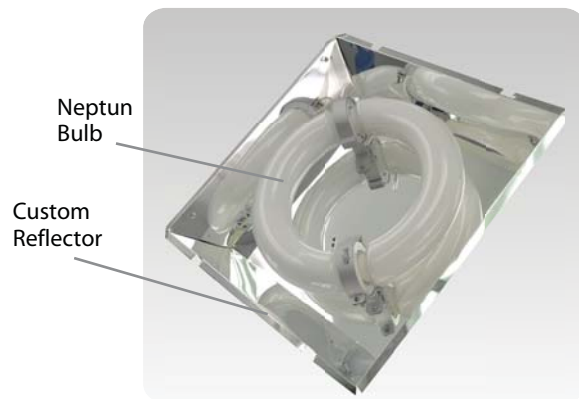
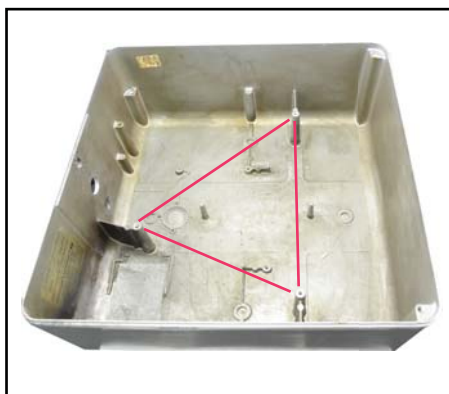


Fig.B

Fig.C



Mounting Stems



Secure reflector with supplied screws

### CAUTION!

DISCONNECT POWER SUPPLY BEFORE INSTALLATION OR MAINTENANCE.  
INSTALLATION OF THIS PRODUCT SHOULD BE DONE BY A FULLY QUALIFIED AND  
LICENSED ELECTRICIAN OR TECHNICIAN.

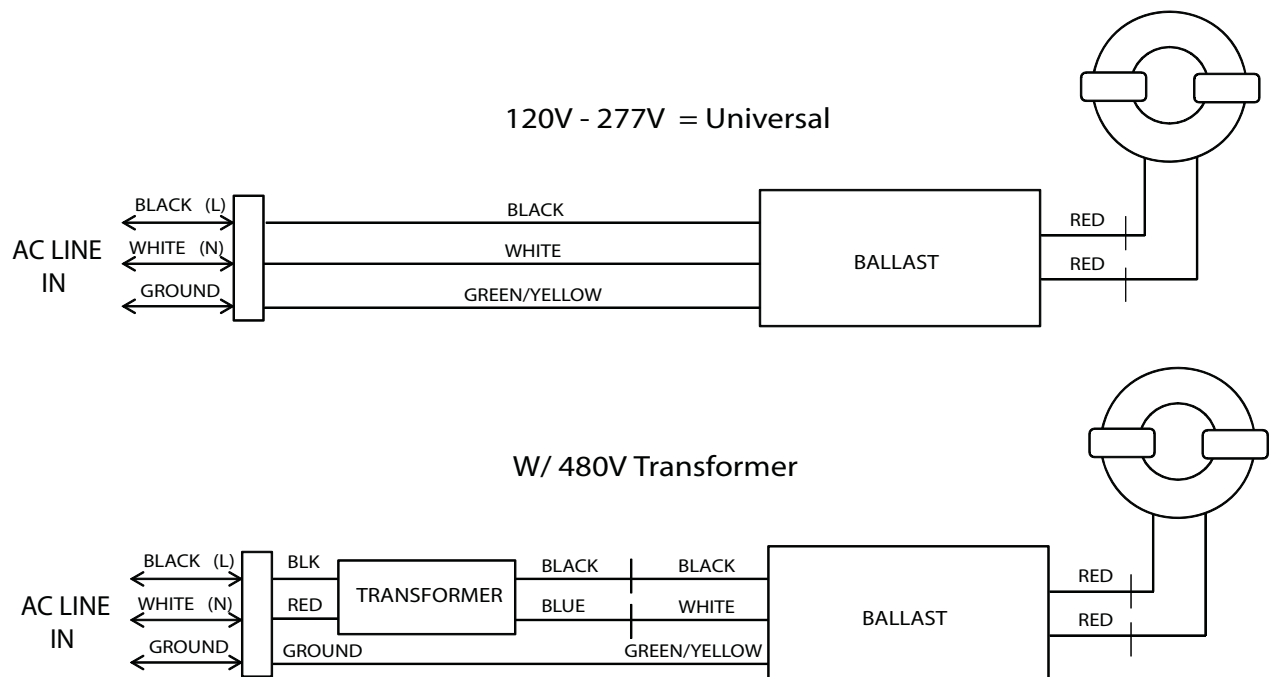
### INFORMATION

- A.) The Lithonia Lighting KAD series fixtures can be retrofitted using a Neptun custom Circline Retrofit Kit.
- B.) This fixture requires a custom designed Neptun reflector and brackets
- C.) This fixture is retrofitted using a Neptun 150W induction bulb and Electronic Ballast.
- D.) This retrofit is available in 40W, 80W, 100W, & 120W, 150W, & 175W
- E.) The Neptun Electronic ballast is for universal voltage 120V - 277V.  
- 480V system also available



### ORDERING INFORMATION (see product sheet)

- 40 Watt Bulb, Ballast, & Reflector = LLKAD-40W-RK-UNV
- 80 Watt Bulb, Ballast, & Reflector = LLKAD-80W-RK-UNV
- 100 Watt Bulb, Ballast, & Reflector = LLKAD-100W-RK-UNV
- 120 Watt Bulb, Ballast, & Reflector = LLKAD-120W-RK-UNV
- 150 Watt Bulb, Ballast, & Reflector = LLKAD-150W-RK-UNV
- 175 Watt Bulb, Ballast, & Reflector = LLKAD-175W-RK-UNV



### CAUTION!

DISCONNECT POWER SUPPLY BEFORE INSTALLATION OR MAINTENANCE.  
INSTALLATION OF THIS PRODUCT SHOULD BE DONE BY A FULLY QUALIFIED AND  
LICENSED ELECTRICIAN OR TECHNICIAN.