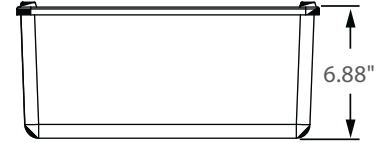
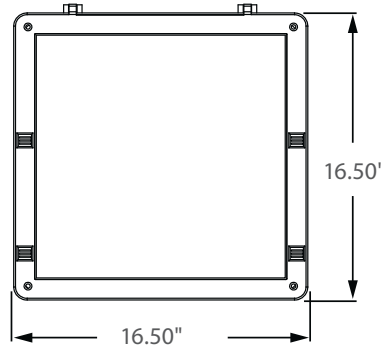




**** AVAILABLE ****

Bi-Level Dimming
100% 50%

0 - 10V
FULL DIMMING



Incredible **100,000** hrs

GENERAL DESCRIPTION

Neptun's 16" LED shoebox combines classic form and versatility to make it an excellent choice for new construction or retrofit applications. The LED-16 series shoebox fixture is offered in a variety of wattages and mounting options to provide maximum flexibility in all types of applications. It can replace existing HID & HPS fixtures up to 400W. Amber color LED's provide a Sea Turtle Freindly Solution for various applications.

APPLICATION

- Parking Lot Lighting
- Area & Storage Lighting
- Street Lighting
- Walkway Lighting
- Building Accent Lighting

STRUCTURE, MATERIALS, & FEATURES

- Heavy-gauge, die-cast aluminum housing.
- Integral structural support plate for mounting arm ensures strength.
- Corrosion resistant electrocoat dark bronze finish (custom colors available).
- Hinged aluminum door frame incorporates stainless steel hardware.
- Continuous silicone gasketing surrounds optics for weather - tight seal.
- Amber LED Wavelength (585-595 nanometers) Sea Turtle Friendly.
- High Output COB LED's with borosilicate glass lens optics.
- High power factor, low THD driver with 6kV/3kA surge protection.
Optional 20kV/10kA surge protector available.
- InstantON flicker-free Cold Start and Hot Re-Start.
- Up to 20 years Maintenance free operation.
- 10 Year Warranty on complete fixture. (LED's, Driver, & Housing)
- **Optional:** 0-10V Dimming, Bi-Level Dimming, Wi-Fi Control, Remote Monitoring and ON/ OFF Control, DC 24V Operation - Solar Compatible

ORDERING INFORMATION

Sample Number: LED-16100-UNV-0-10VDIM-SA6-AMB-LD-T3-BRZ
Custom options and accessories available. Please consult factory.

Series	Wattage	Voltage	Options	Mounting	CCT	Accessories	Optics	Color
LED-16 = Area/ Parking Fixture	080 = 80 W 100 = 100 W 120 = 120 W 150 = 150 W	UNV = 120-277 VAC 347V = 347 VAC 480V = 480 VAC 24VDC = 24 VDC	0-10VDIM = 0-10V Dimming BL-DIM = Bi-Level Dimming * * Includes Motion Sensor	SA6 = 6" Side Arm SA12 = 12" Side Arm SA6R = 6" Side Arm (round pole adapter) SA12R = 12" Side Arm (round pole adapter) WM6 = 6" Wall Mount WM12 = 12" Wall Mount SF = Slip Fitter Mount YK = Yoke Mount	AMB = Amber (585-595 nano- meters)	LD = Twistlock Photocell MD = Motion Sensor ON/OFF SP = 20kV/10kA surge protector FSGS = Front Side Glare Shield BSGS = Front Side Glare Shield FSP-211 = Wattstopper Sensor (used with bi-level dimming option)	T3 = Type 3 T5 = Type 5	BRZ = Bronze * Custom Colors Available



lightinnovations@work™

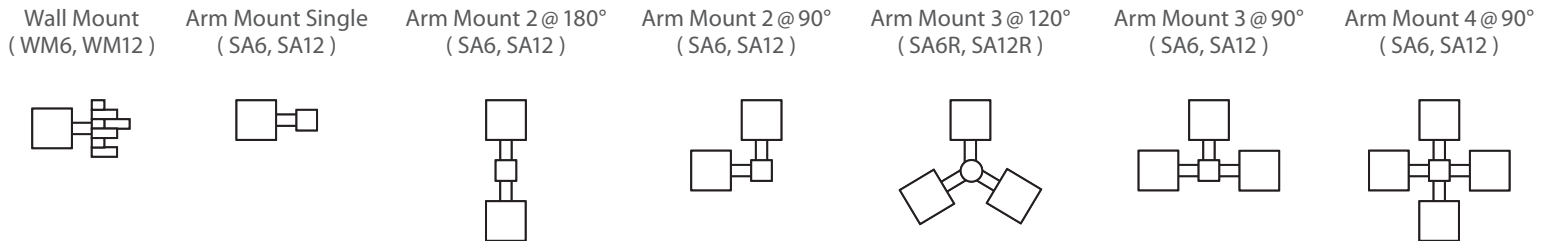
PRODUCT INFORMATION

Model No.	Description	Rated Watts	Input Watts	Delivered Lumens	Universal Line Voltage (VAC)	Max Line Current (Amp) @ 120 - 277	THD	Power Factor	Weight
LED-16080-UNV	LED Area/Flood Fixture	80	82	9,000	120-277	0.69 - 0.30	<20%	>0.90	25 lbs
LED-16100-UNV	LED Area/Flood Fixture	100	102	11,500	120-277	0.87 - 0.37	<20%	>0.90	25 lbs
LED-16120-UNV	LED Area/Flood Fixture	120	122	13,800	120-277	1.05 - 0.45	<20%	>0.90	25 lbs
LED-16150-UNV	LED Area/Flood Fixture	150	153	17,250	120-277	1.31 - 0.56	<20%	>0.90	25 lbs

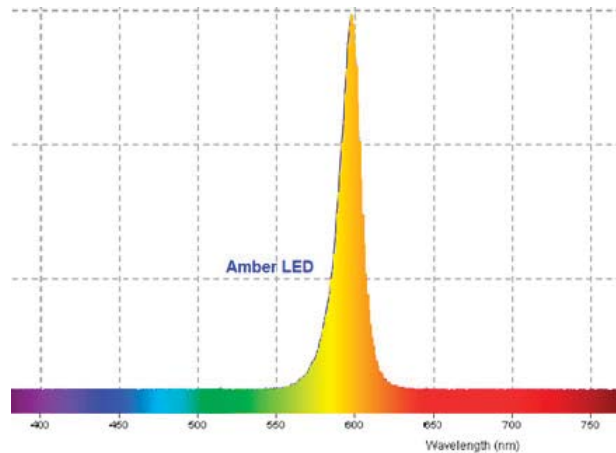
SPECIFICATIONS

- Driver Constant Current
- Start Method InstantON
- Hot Re-start InstantON
- Power Supply 350mA
- Driver UL Rating Class 1
- Driver UL Outdoor Rated Wet Location
- Sound Rating Class A
- ANSI Surge Protection IEEE C62.41 C High
- Current Crest Factor 1.5 maximum
- Load Regulation: 5% output current variation across load range
- Line Regulation: 1% output voltage variation across voltage range
- Driver Off-State Draw 0 Watts
- Vibration Compliance 3G
- Universal Input Line Voltage 120-277 VAC
- Input Line Frequency 50/60 Hz
- Projected (L70) @ 25°C > 100,000 hrs.
- Wavelength 585-595 nanometers
- Minimum Starting Temperature -40°C
- Maximum Starting Temperature +50°C
- Lumens per Watt > 110
- Shock / Vibration Resistant Yes
- Power Factor > 0.90
- Total Harmonic Distortion < 20%
- Inrush Current Peak < 10 Amp
- FCC Compliance Part 15, Subp. C
- ETL Listed / UL Standard 1598 Yes
- EPA Rating 0.96 ft.²
- Driver IP Rating IP67
- Optics IP Rating IP68
- Warranty 10 Year

MOUNTING CONFIGURATION



AMBER WAVELENGTH



Neptun Light, Inc.
13950 Business Center Drive
Lake Forest, IL 60045
Fax: 847.735.8004

Neptun Light, Inc. reserves the right to change materials or modify the design of its product without notification as part of the company's continuing product improvement program.
©2002-2016 Neptun Light, Inc. All rights reserved.

Spec. Rev. 7-2017