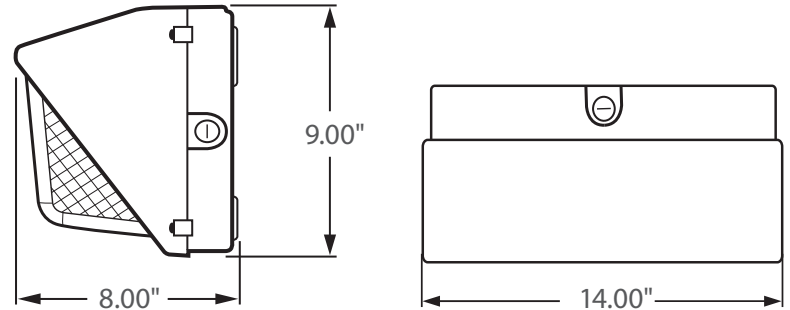


24VDC OPERATION



Incredible OFF GRID Operation

GENERAL DESCRIPTION

Neptun's 14" Flood Type Wall Pack fixtures feature classic form and durability to make it an excellent choice for new construction or retrofit applications. Neptun's Induction Wall Pack fixtures feature a high CRI and bright white 5000°K color temperature for increased safety and security. The 24 Volt DC driver allows for compatible use with Solar or Wind powered systems. It can replace existing HID fixtures up to 100 Watts.

APPLICATION

- Solar Building Accent Lighting
- Solar Landscape Lighting
- Solar Security Lighting
- Solar Parking Lot Lighting
- Solar Area Lighting
- Solar Storage Area Lighting

STRUCTURE, MATERIALS, & FEATURES

- Heavy-gauge, die-cast aluminum housing.
- Custom designed anodized aluminum reflectors for superior illuminance.
- Heat and impact resistant borosilicate glass lens.
- Corrosion resistant electrocoat dark bronze finish (custom colors available).
- Hinged aluminum door frame incorporates stainless steel hardware.
- Continuous silicone gasketing surrounds lens for weather - tight seal.
- Inductively coupled rectangular induction bulb.
- High power factor, 24 Volt DC ballast.
- Instant-On flicker-free Cold Start and Hot Re-Start.
- High quality glare-free light with high CRI above (83).
- Bright white light (5000°K) for greater visibility and safety.
- Advance phosphors for high lumen output and high lumen maintenance.
- Up to 20 year maintenance free operation.
- 10 Year Warranty.

ORDERING INFORMATION

Sample Number: 21040FLD-24VDC-850-LD-BRZ
 Custom options and accessories available. Please consult factory

Series	Lamp Wattage	Lens Type	Voltage	Color Temp	Accessories	Color
21 = Wall Pack	040 = 40 W	FLD = Flood Type	24VDC = 24 VDC	830 = 3000°K 841 = 4100°K 850 = 5000°K* * Standard	LD = Light Detector / Photocell MD = Motion Sensor Detector	BRZ = Dark Bronze * Custom Colors Available



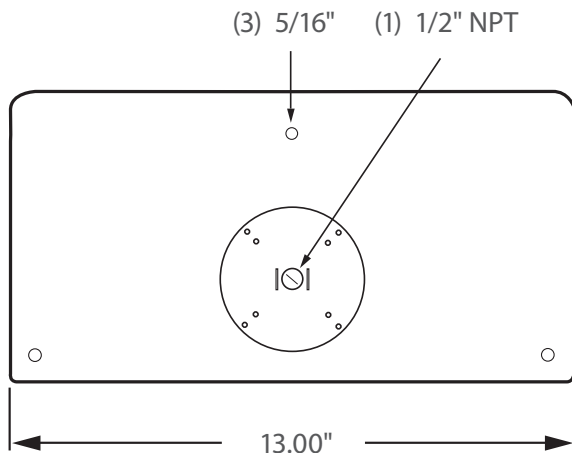
PRODUCT INFORMATION

Model No.	Description	Rated Watts	Input Watts	Initial Lumens	Input Line Voltage (VDC)	Max Line Current (Amp)	Power Factor	Weight
21040FLD-24VDC	Wall Pack - Flood Type	40	41	3,200	24	1.74	0.98	18 lbs

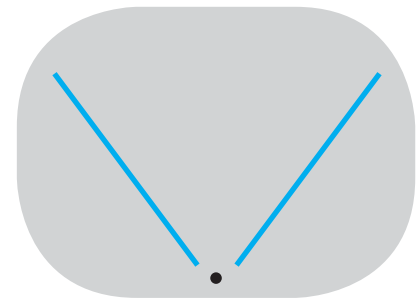
SPECIFICATIONS

- Ballast Type Electronic
- Start Method InstantON
- Hot Re-start InstantON
- Input Line Voltage 24 VDC
- Input Line Frequency 50/60 Hz
- Lamp Operating Frequency 250 kHz
- Ballast Off-State Draw 0 Watts
- Sound Rating Class A
- Lamp / Ballast System Life 100,000 Hrs.
- Lumen Maintenance @75,000Hrs > 70%
- Color Temperature 5000°K
- Color Rendering Index (CRI) > 83
- Minimum Starting Temperature -20°F
- Maximum Starting Temperature 160°F
- Initial Lumens per Watt80
- Shock / Vibration Resistant Yes
- Power Factor > 0.98
- ETL Listed / UL Standard 1598 Yes
- FCC Compliance Part 18, Subp. C
- IP Rating IP65
- Warranty 10 Year

MOUNTING OPTIONS



PHOTOMETRICS (See Complete IES File)



Type IV Distribution

Neptun Light, Inc.
 13950 Business Center Drive
 Lake Forest, IL 60045
 Fax: 847.735.8004

Neptun Light, Inc. reserves the right to change materials or modify the design of its product without notification as part of the company's continuing product improvement program.
 ©2002-2013 Neptun Light, Inc. All rights reserved.

Spec. Rev. 1-2013