



FIXTURE MOUNTING:

- A.) Disconnect power supply and remove existing fixture (if applicable).
- B.) The fixture will be supplied with the desired adapter and whip / power cord already fixed to the housing.
(6" Side Arm (SA6), 6" Wall Mount (WM6), Slip Fitter (SF), Adjustable Yoke Mount (YK))
- C.) Mount fixture to pole,.

SIDE ARM

- 1.) Drill bolt pattern into existing pole according to (Figure A)
- 2.) Loosen nuts and remove washers and lock washers from (2) side arm bolts.
- 3.) Slip the (2) bolts through the drilled holes, making sure the whip/power cord is pulled through the middle hole and through the pole.
- 4.) Replace lock washers, washers, and nuts, then tighten from inside the pole.
- 5.) Wire the whip/power cord to the existing power source.

WALL MOUNT

- 1.) Drill 4 hole bolt pattern into existing surface area according to (Figure B).
- 2.) Wire the whip/power cord to the existing power source.
- 3.) Secure 4 bolts through wall mount into existing surface.

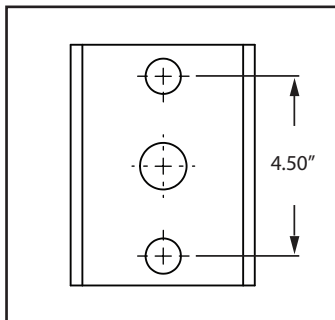
Slip Fitter Mount

- 1.) Slide arm over round tenon or pipe. (Figure C)
- 2.) Wire the whip/power cord to the existing power source.
- 3.) Tighten 2 allen bolts on slip fitter to secure to tenon.

Yoke Mount

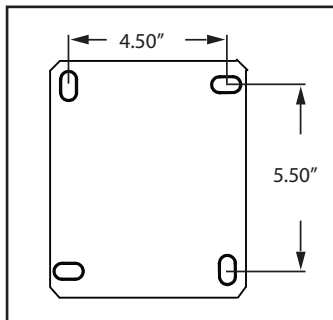
- 1.) Drill bolt pattern on existing surface. (Figure D)
- 2.) Secure yoke mount to surface by tightening bolts
- 3.) Wire the whip/power cord to the existing power source.

(Figure A)



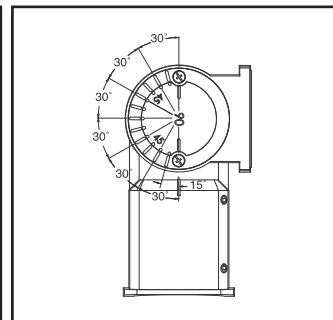
Side Arm (SA6) Drill Pattern

(Figure B)



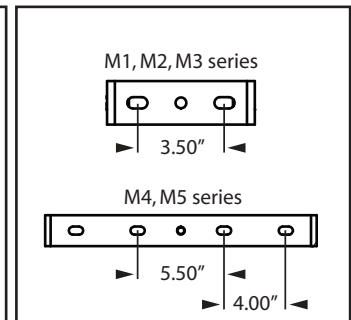
Wall Mount (WM) Drill Pattern

(Figure C)



Adjustable Slip Fitter (SF)

(Figure D)

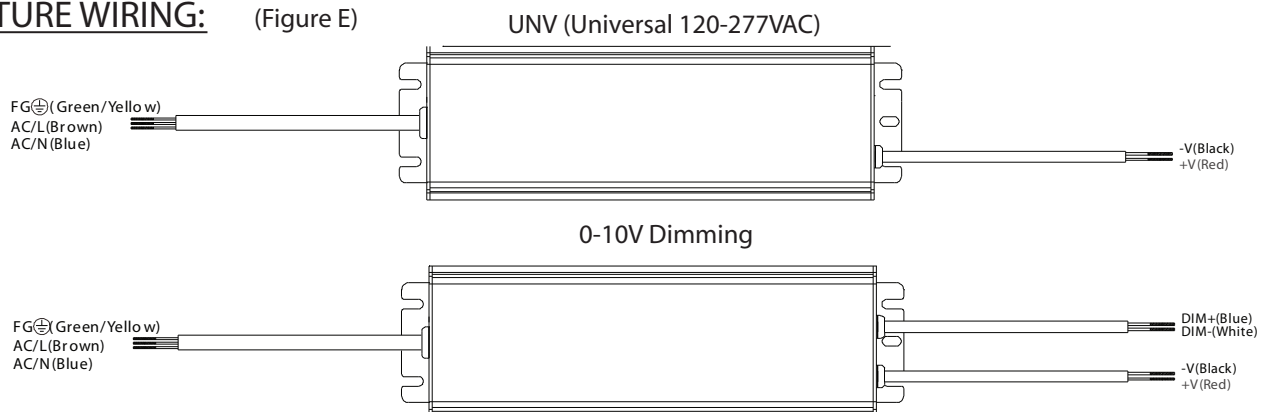


Adjustable Yoke Mount (YK)

2-1/2" I.D. Accepts up to 2-3/8" Tenon or Pipe

FIXTURE WIRING:

(Figure E)



NEPTUN Light, Inc.
Questions and Comments:
service@neptunlight.com
Toll-Free: 1-888-735-8330

CAUTION!

DISCONNECT POWER SUPPLY BEFORE INSTALLATION OR MAINTENANCE.
INSTALLATION OF THIS PRODUCT SHOULD BE DONE BY A FULLY QUALIFIED AND
LICENSED ELECTRICIAN OR TECHNICIAN.