

Incredible **100,000 hrs**

GENERAL DESCRIPTION

Neptun's Ad-Economy Billboard / Sign fixtures are used to replace inefficient MH billboard fixtures. The custom anodized aluminum reflectors are designed to provide maximum illuminance on the intended surface. It greatly reduces maintenance costs with its long life guarantee. It can replace existing HID & HPS fixtures up to 400W.

APPLICATION

- Billboard Lighting
- Sign Lighting
- Flood Lighting

STRUCTURE, MATERIALS, & FEATURES

- Heavy-gauge, die-cast aluminum housing.
- Custom designed anodized aluminum reflectors for superior illuminance.
- Heat and impact resistant, borosilicate glass lens/refractor.
- Integral structural support plate for mounting arm ensures strength.
- Corrosion resistant electrocoat grey finish (custom colors available).
- Hinged aluminum door frame incorporates stainless steel hardware.
- Continuous silicone gasketing surrounds lens for weather - tight seal.
- Inductively coupled rectangular induction bulb.
- High power factor, low THD electronic ballast with surge protection.
- Instant-On flicker-free Cold Start and Hot Re-Start.
- High quality glare-free light with high CRI above (83).
- Bright white light (5000°K) for greater visibility and safety.
- Advance phosphors for high lumen output and high lumen maintenance.
- Up to 20 year maintenance free operation.
- 10 Year Warranty.

ORDERING INFORMATION

Sample Number: 30150-UNV-850-LD-GRY
 Custom options and accessories available. Please consult factory

Series	Lamp Wattage	Voltage	Color Temp	Accessories	Color
30 = Billboard Fixture	150 = 150 W 200 = 200 W	UNV = 120-277 VAC 347V = 347 VAC 480V = 480 VAC	830 = 3000°K 841 = 4100°K 850 = 5000°K * * Standard	LD-120V = Photocell for 120V LD-277V = Photocell for 277V	GRY = Grey * Custom Colors Available



lightinnovations@work™

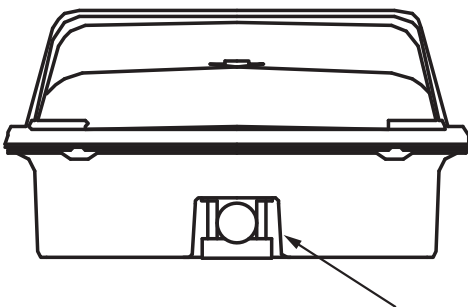
PRODUCT INFORMATION

Model No.	Description	Rated Watts	Input Watts	Initial Lumens	Universal Line Voltage (VAC)	Max Line Current (Amp) 120 - 277	THD	Power Factor	Weight
30150-UNV	Sign/Billboard Fixture	150	158	12,000	120-277	1.31-0.56	<10%	0.98	28 lbs
30200-UNV	Sign/Billboard Fixture	200	210	16,000	120-277	1.75-0.75	<10%	0.98	28 lbs

SPECIFICATIONS

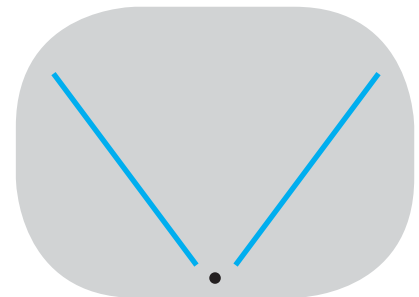
- Ballast Type Electronic
- Start Method InstantON
- Hot Re-start InstantON
- Universal Input Line Voltage 120-277 VAC
- Input Line Frequency 50/60 Hz
- Lamp Operating Frequency 250 kHz
- Ballast Off-State Draw 0 Watts
- Sound Rating Class A
- ANSI Surge Protection Class A
- Lamp / Ballast System Life 100,000 Hrs.
- Lumen Maintenance @75,000Hrs > 70%
- Color Temperature 5000°K
- Color Rendering Index (CRI) 83
- Minimum Starting Temperature -20°F
- Maximum Starting Temperature 160°F
- Lumens per Watt 80
- Shock / Vibration Resistant Yes
- Power Factor > 0.98
- Total Harmonic Distortion < 10%
- Inrush Current Peak < 10 Amp
- ETL Listed / UL Standard 1598 Yes
- FCC Compliance Part 18, Subp. C
- IP Rating IP65
- Warranty 10 Year

MOUNTING OPTIONS



Adjustable Pipe Clamp
Fits 1-1/4" Round or 1-1/2" Square Pipe

PHOTOMETRICS (See Complete IES File)



Type IV Distribution

Neptun Light, Inc.
13950 Business Center Drive
Lake Forest, IL 60045
Fax: 847.735.8004

Neptun Light, Inc. reserves the right to change materials or modify the design of its product without notification as part of the company's continuing product improvement program.
©2002-2016 Neptun Light, Inc. All rights reserved. Spec. Rev. 4-2016