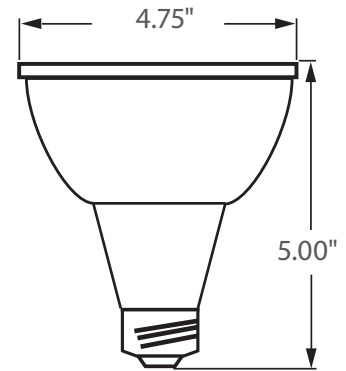




Operates on
120-277 VAC



Incredible **25,000** hrs

GENERAL DESCRIPTION

Neptun's high performance LED PAR38 bulbs are designed for the replacement of existing incandescent or halogen bulbs up to 90W. Its analog/triac dimming system allows for 100%-0% light output for increased energy savings. Its universal operating voltage allows for use in 120V or 277V applications. The LED-938 series also allows for dimming on 120V or 277V systems.

APPLICATION

- Track / Spot Lighting
- Suitable for use in indoor environments
- Not for use in fully enclosed fixtures
- Not for use where directly exposed to water

STRUCTURE, MATERIALS, & FEATURES

- Finned aluminum casting for excellent thermal management.
- Flicker Free analog/triac dimming system operates on 120V/277V.
- Up to 10 years Maintenance free operation.
- Environmental Friendly - mercury and lead free.
- Integrated high efficiency driver.
- High Output COB LED's.
- No UV or IR radiation.
- RoHS Compliant.
- 5 Year Warranty.

ORDERING INFORMATION

Sample Number: LED-93824-UNV-ADIM-841-E26
Custom options and accessories available. Please consult factory

Source	Series	Wattage	Voltage	Driver	Color Temp	Base
LED = LED	938 = PAR 38	24 = 24 W	UNV = 120-277 VAC	ADIM = Analog Dimming	830 = 3000°K 841 = 4100°K 850 = 5000°K 865 = 6500°K	E26 = Medium Base



lightinnovations@work™

PRODUCT INFORMATION

Model No.	Watts	Input Line Current (Amp) @ 120-277VAC	Power Factor	THD	CCT (°K)	CRI	Lumens	Lm/W	Base	Beam Angle
LED-93824-UNV-ADIM-830	24	0.210-0.090	>0.90	<20%	3,000°	>80	1,776	74	E26	30°
LED-93824-UNV-ADIM-841	24	0.210-0.090	>0.90	<20%	4,100°	>80	1,872	78	E26	30°
LED-93824-UNV-ADIM-850	24	0.210-0.090	>0.90	<20%	5,000°	>80	1,920	80	E26	30°
LED-93824-UNV-ADIM-865	24	0.210-0.090	>0.90	<20%	6,500°	>80	1,980	82	E26	30°

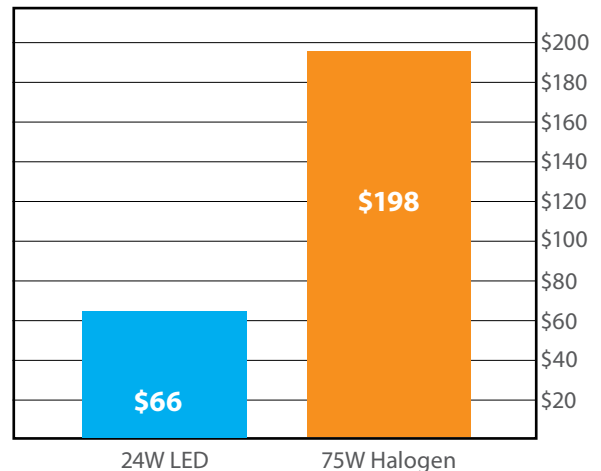
SPECIFICATIONS

- LED Driver Constant Current
- Dimming Triac / Analog
- Power Supply 350mA
- Start Method InstantON
- Hot Re-start InstantON
- Universal Input Line Voltage 120-277 VAC
- LED / Driver System Life 25,000 Hrs.
- Color Temperature Various
- Color Rendering Index (CRI) > 80
- Minimum Starting Temperature -25°C
- Maximum Starting Temperature 40°C
- Lumens per Watt > 70
- Power Factor > 0.90
- Total Harmonic Distortion < 20%
- FCC Compliance Part 15, Subp. C
- Warranty 5 Year

ENERGY SAVINGS

75% Energy Savings

Operation Costs Comparison over Life of LED Bulb



*Based on \$0.10 kw/H
*12Hrs. per Day Usage

Neptun Light, Inc.
13950 Business Center Drive
Lake Forest, IL 60045
Fax: 847.735.8004

Neptun Light, Inc. reserves the right to change materials or modify the design of its product without notification as part of the company's continuing product improvement program.
©2002-2016 Neptun Light, Inc. All rights reserved. Spec. Rev. 12-2014