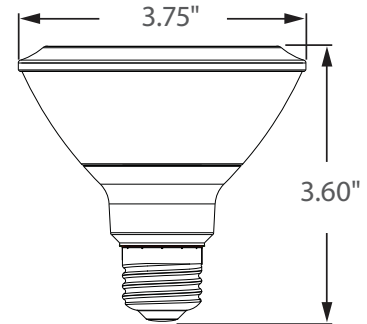




Operates on  
**120-277 VAC**



Incredible **25,000 hrs**

### GENERAL DESCRIPTION

Neptun's high performance LED Par30-Short bulbs are designed for the replacement of existing incandescent or halogen bulbs up to 60W. The LED-932 series bulbs are offered in a variety of color temperatures for flexibility in all types of applications. Its universal operating voltage allows for use in 120V or 277V applications.

### APPLICATION

- Suitable for use in outdoor and indoor environments
- Not for use in fully enclosed fixtures
- Not for use where directly exposed to water

### STRUCTURE, MATERIALS, & FEATURES

- Fin-less design with excellent thermal management.
- Flat polycarbonate shatterproof lens. (Glare Free)
- Wide variety of Correlated Color Temperatures.
- High Luminous Efficacy: > 60 Lm/W
- Environmental Friendly - mercury and lead free.
- Up to 15 years Maintenance free operation.
- Integrated high efficiency driver.
- High Output COB LED's.
- RoHS Compliant.
- No UV or IR radiation.
- 5 Year Warranty.

### ORDERING INFORMATION

Sample Number: LED-93213-UNV-841-B40-E26  
Custom options and accessories available. Please consult factory

Series	Wattage	Voltage	Color Temp	Beam	Base
LED-932 = PAR 30 Short	13 = 13 W	UNV = 120-277 VAC	830 = 3000°K 841 = 4100°K 850 = 5000°K	B40 = 40° Beam	E26 = Medium Base



lightinnovations@work™

### PRODUCT INFORMATION

Model No.	Watts	Input Line Current (Amp) @ 120-277VAC	Power Factor	THD	CCT (°K)	CRI	Lumens	Lm/W	Base	Beam Angle
LED-93213-UNV-830	13	0.113-0.049	>0.90	<20%	3,000°	>80	793	61	E26	40°
LED-93213-UNV-841	13	0.113-0.049	>0.90	<20%	4,100°	>80	845	65	E26	40°
LED-93213-UNV-850	13	0.113-0.049	>0.90	<20%	5,000°	>80	858	66	E26	40°

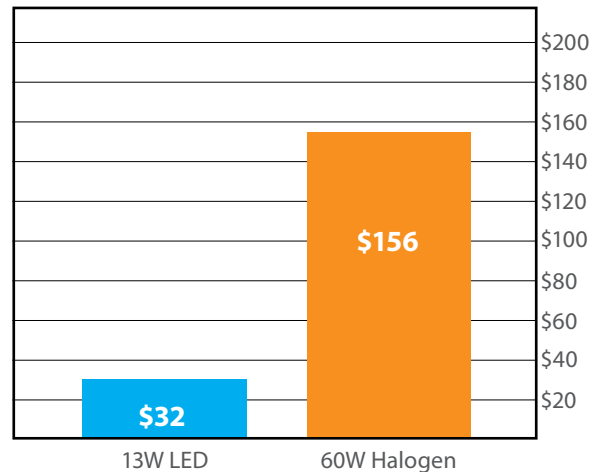
### SPECIFICATIONS

- LED Driver ..... Constant Current
- Power Supply ..... 350mA
- Start Method ..... InstantON
- Hot Re-start ..... InstantON
- Universal Input Line Voltage ..... 120-277 VAC
- LED / Driver System Life ..... 25,000 Hrs.
- Color Temperature ..... Various
- Color Rendering Index (CRI) ..... > 80
- Minimum Starting Temperature ..... -20°C
- Maximum Starting Temperature ..... +45°C
- Lumens per Watt ..... > 60
- Power Factor ..... > 0.90
- Total Harmonic Distortion ..... < 20%
- FCC Compliance ..... Part 15, Subp. C
- Warranty ..... 5 Year

### ENERGY SAVINGS

# 75% Energy Savings

Operation Costs Comparison over Life of LED Bulb



\*Based on \$0.10 kw/H  
\*12Hrs. per Day Usage

Neptun Light, Inc.  
13950 Business Center Drive  
Lake Forest, IL 60045  
Fax: 847.735.8004

Neptun Light, Inc. reserves the right to change materials or modify the design of its product without notification as part of the company's continuing product improvement program.  
©2002-2016 Neptun Light, Inc. All rights reserved. Spec. Rev. 7-2016