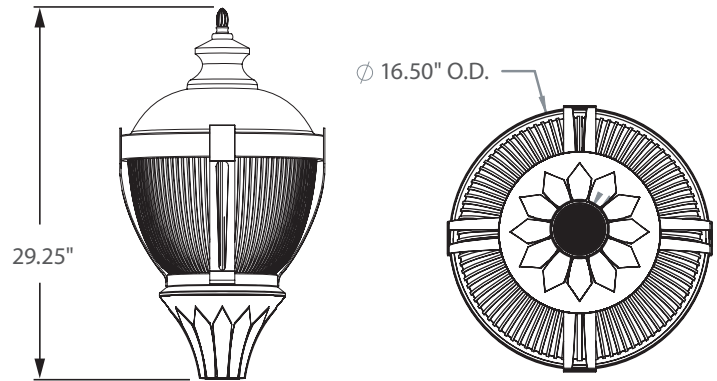


24VDC OPERATION



Incredible OFF GRID Operation

GENERAL DESCRIPTION

Neptun's Induction post top fixture features a traditional decorative style to make it an excellent choice for new construction or retrofit applications. The 90 series offers excellent illumination and uniformity. The cut-off hood allows for use in Dark Sky applications. The 24 Volt DC driver allows for compatible use with Solar or Wind powered systems. It can replace existing HID fixtures up to 150W.

APPLICATION

- Street Lighting
- Parking Lot Lighting
- Security Lighting
- Decorative Post-Top Lighting
- Area Lighting
- Walkway Lighting

STRUCTURE, MATERIALS, & FEATURES

- Fiberglass reinforced composite housing for excellent durability and strength.
- High Efficiency, heat and impact resistant, UV protected, non-yellowing polycarbonate refractor.
- Corrosion resistant electrocoat black finish (custom colors available).
- 3" I.D. Slip Fitter Accepts up to 2-7/8" Pipe or Tenon. (hardware included)
- Continuous silicone gasketing surrounds lens for weather - tight seal.
- Inductively coupled U-Type Induction bulb.
- High power factor, 24 Volt DC ballast.
- Instant-On flicker-free Cold Start and Hot Re-Start.
- High quality glare-free light with high CRI above (83).
- Bright white light (5000°K) for greater visibility and safety.
- Advance phosphors for high lumen output and high lumen maintenance.
- Up to 20 year maintenance free operation.
- 10 Year Warranty.

ORDERING INFORMATION

Sample Number: 90050-24VDC-850-BLK
 Custom options and accessories available. Please consult factory

| Series | Lamp Wattage | Voltage | Color Temp | Color |
|-----------------------|--------------|----------------|---|--|
| 90 = Acorn / Post Top | 50 = 50 W | 24VDC = 24 VDC | 830 = 3000°K 841 = 4100°K 850 = 5000°K* * Standard | BLK = Black * Custom Colors Available |



PRODUCT INFORMATION

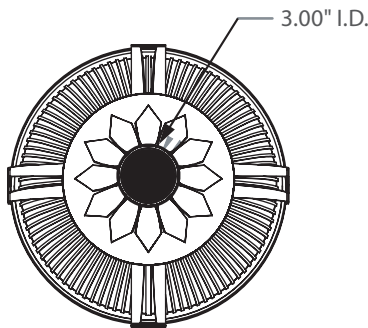
| Model No. | Description | Rated Watts | Input Watts | Initial Lumens | Input Line Voltage (VDC) | Max Line Current (Amp) | Power Factor | Weight |
|-------------|------------------------|-------------|-------------|----------------|--------------------------|------------------------|--------------|--------|
| 90050-24VDC | Post Top Acorn Fixture | 50 | 51 | 3,500 | 24 | 2.18 | >0.98 | 28 lbs |

SPECIFICATIONS

- Ballast Type Electronic
- Start Method InstantON
- Hot Re-start InstantON
- Input Line Voltage 24 VDC
- Input Line Frequency 50/60 Hz
- Lamp Operating Frequency 250 kHz
- Ballast Off-State Draw 0 Watts
- Sound Rating Class A
- Lamp / Ballast System Life 100,000 Hrs.
- Lumen Maintenance @75,000Hrs > 70%
- Color Temperature 5000°K
- Color Rendering Index (CRI) > 83
- Minimum Starting Temperature -20°F
- Maximum Starting Temperature 160°F
- Initial Lumens per Watt 80
- Shock / Vibration Resistant Yes
- Power Factor > 0.98
- ETL Listed / UL Standard 1598 Yes
- FCC Compliance Part 18, Subp. C
- IP Rating IP65
- Warranty 10 Year

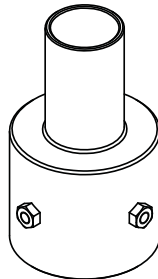
MOUNTING OPTIONS

SLIP-FIT MOUNT



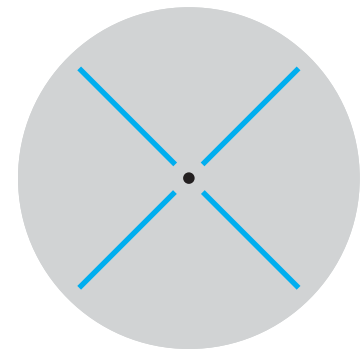
Accepts up to 2-7/8" O.D.
Round Tenon or Pole

IOP-RPTR (contact factory)



Round Pole Tenon Reducers
available for 3", 4", & 5" O.D. Poles

PHOTOMETRICS (See Complete IES File)



Type V Distribution

Neptun Light, Inc.
13950 Business Center Drive
Lake Forest, IL 60045
Fax: 847.735.8004

Neptun Light, Inc. reserves the right to change materials or modify the design of its product without notification as part of the company's continuing product improvement program.
©2002-2013 Neptun Light, Inc. All rights reserved.

Spec. Rev. 1-2013