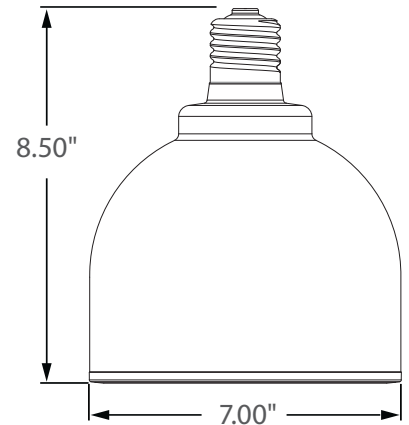




Operates on
120V or 277VAC

** AVAILABLE **

Bi-Level 100% Dimming 50%
0 - 10V FULL DIMMING



Incredible **75,000** hrs

GENERAL DESCRIPTION

Neptun's LED PAR56 retrofit kits are designed for the replacement of existing HID down lighting systems. The LED-956 series lamps are offered in a variety of color temperatures and wattages for flexibility in all types of applications. The narrow beam spread allows for great light distribution in high ceilings and hard to access applications, which greatly reduces maintenance costs. It can replace existing HID downlights up to 175W.

APPLICATION

- High Ceiling Down Lighting
- Atrium Lighting
- Canopy Lighting
- Church Lighting

STRUCTURE, MATERIALS, & FEATURES

- Aluminum cast heat sink for excellent thermal management.
- Mogul (E40) base socket allows for easy installation.
- Correlated Color Temperatures of 3000°K, 4100°K, & 5000°K.
- Mercury free design.
- No radiated EMI interference.
- 36 PCS High Output LED's.
- 25° Beam Spread.
- High power factor, low THD driver with 6kV/3kA surge protection.
- InstantON flicker-free Cold Start and Hot Re-Start.
- Up to 15 years Maintenance free operation.
- 5 Year Warranty.
- **Optional:** Bi-Level Dimming, 0-10V Dimming, Remote Monitoring and ON/OFF Control

ORDERING INFORMATION

Sample Number: LED-95650-RK-UNV-0-10VDIM-850-E40
Custom options and accessories available. Please consult factory

Series	Wattage	System	Voltage	Options	Color Temp	Base
LED-956 = PAR56	50 = 50 W	RK = Retrofit Kit * Includes Lamp and Driver	UNV = 120-277 VAC	0-10VDIM = 0-10V Dimming BL-DIM = Bi-Level Dimming * Contact Factor for Dimming Options	830 = 3000°K 841 = 4100°K 850 = 5000°K	E40 = Mogul Base



lightinnovations@work™

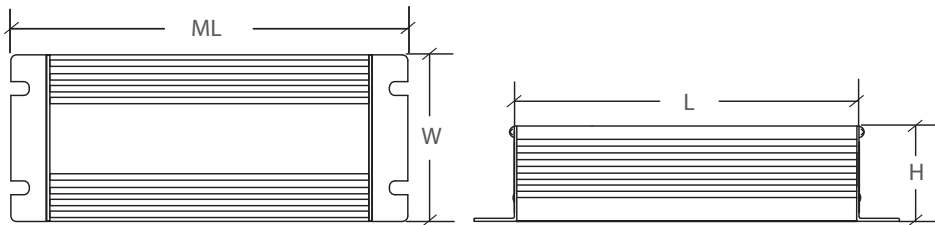
PRODUCT INFORMATION

Model No.	Rated Watts	Input Watts	Color Temp.	Delivered Lumens	Universal Line Voltage (VAC)	Max Line Current (Amp) @ 120 - 277	THD	Power Factor	Base	Beam Spread
LED-95650RK-UNV-830	50	51	3,000°K	5,000	120-277	0.43 - 0.18	<20%	>0.90	E40	25°
LED-95650RK-UNV-841	50	51	4,100°K	5,100	120-277	0.43 - 0.18	<20%	>0.90	E40	25°
LED-95650RK-UNV-850	50	51	5,000°K	5,200	120-277	0.43 - 0.18	<20%	>0.90	E40	25°

SPECIFICATIONS

- LED Driver Constant Current
- Power Supply 350mA
- Driver UL Rating Class 1
- Start Method InstantON
- Hot Re-start InstantON
- Universal Input Line Voltage 120-277 VAC
- Input Line Frequency 50/60 Hz
- Driver Off-State Draw 0 Watts
- Sound Rating Class A
- Projected (L70) @ 85°C > 50,000 hrs.
- Color Temperature 3000°K, 4100°K, 5000°K
- Color Rendering Index (CRI) > 80
- Beam Spread 25°
- Minimum Starting Temperature -35°C
- Maximum Starting Temperature 40°C
- Lumens per Watt > 100
- Power Factor > 0.90
- Total Harmonic Distortion < 20%
- Inrush Current Peak < 10 Amp
- FCC Compliance Part 15, Subp. C
- Warranty 5 Year

DRIVER DIMENSIONS



Wattage	M.L.	W	L	H
50W	5.75 in.	2.75 in.	4.75 in.	1.50 in.

RECOMMENDED APPLICATION FIXTURES



- Existing opening must be at least 8" in diameter
- Excellent replacement for high ceiling applications



EXTENDER: E40-E26
Mogul to Medium Base Adapter
**** ORDER SEPERATELY**

* NOT TO BE USED IN ENCLOSED FIXTURES
 * Contact Factory for Application Verification.

Neptun Light, Inc.
 13950 Business Center Drive
 Lake Forest, IL 60045
 Fax: 847.735.8004

Neptun Light, Inc. reserves the right to change materials or modify the design of its product without notification as part of the company's continuing product improvement program.
 ©2002-2016 Neptun Light, Inc. All rights reserved.

Spec. Rev. 7-2016