

Incredible **100,000** hrs

## GENERAL DESCRIPTION

Neptun's LED Ad-Bulletin™ Modular M4 billboard fixtures combine architectural form and patented design to make it an excellent choice for retrofit or new billboard applications. The 120 PCS, High Output Cree LED's and custom engineered optics provide highly uniform illumination of various billboard sizes. It can replace existing HID billboard fixtures up to 400W.

## APPLICATION

- 48' Billboard requires 2 Unit

## STRUCTURE, MATERIALS, & FEATURES

- Heavy-gauge, die-cast aluminum housing.
- LED engine design with Advanced Thermal Management.
- Corrosion resistant electrocoat grey finish.
- Slim, state of the art, low profile design for minimum wind load resistance.
- Heat and impact resistant tempered flat glass lens.
- Continuous silicone gasketing surrounds optics for IP68 weather tight seal.
- 1-1/2" I.D. Slip Fitter Accepts up to 1-1/4" Pipe or Tenon. (hardware included)
- Correlated Color Temperature of (5000°K) for greater visibility.
- Patented constant light control output over 75,000 hrs. life.
- High Output LED's.
- High power factor, low THD driver with 6kV/3kA surge protection.
- InstantON flicker-free Cold Start and Hot Re-Start.
- Up to 15 years Maintenance free operation.
- 10 Year Warranty on complete fixture. (LED's, Driver, & Housing)

## ORDERING INFORMATION

Sample Number: LED-87150-M4-UNV-0-10VDIM-850  
Custom options and accessories available. Please consult factory

Series	Wattage	Voltage	Options	Color Temp.
LED-87 = Modular Billboard Fixture	150-M4 = 150 W 160-M4 = 160 W 170-M4 = 170 W	UNV = 120-277 VAC 347V = 347 VAC 480V = 480 VAC	0-10VDIM = 0-10V Dimming * Contact Factory for Dimming Options	850 = 5000°K



lightinnovations@work™

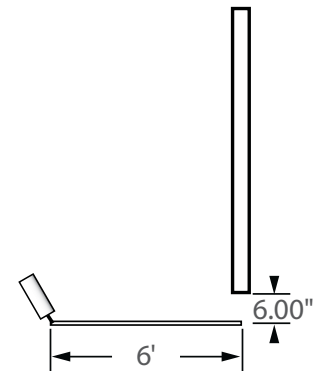
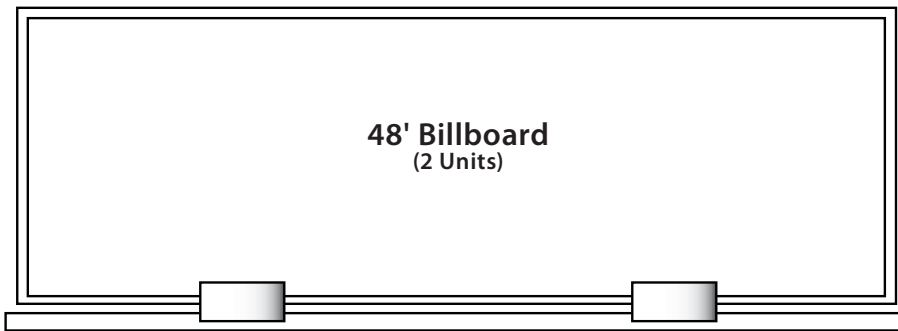
## PRODUCT INFORMATION

Model No.	Description	Rated Watts	Input Watts	Delivered Lumens	Universal Line Voltage (VAC)	Max Line Current (Amp) @ 120 - 277	THD	Power Factor	Weight
LED-87150-M4-UNV	LED Billboard Fixture	150	152	15,000	120-277	1.31 - 0.56	<20%	>0.90	38 lbs
LED-87160-M4-UNV	LED Billboard Fixture	160	162	16,000	120-277	1.39 - 0.60	<20%	>0.90	38 lbs
LED-87170-M4-UNV	LED Billboard Fixture	170	172	17,000	120-277	1.48 - 0.64	<20%	>0.90	38 lbs

## SPECIFICATIONS

- Driver ..... Constant Current
- Start Method ..... InstantON
- Hot Re-start ..... InstantON
- Power Supply ..... 350mA
- Driver UL Rating ..... Class 1
- Driver UL Outdoor Rated ..... Wet Location
- Sound Rating ..... Class A
- ANSI Surge Protection ..... IEEE C62.41 C High
- Inrush Current Peak ..... < 10 Amp
- Current Crest Factor ..... 1.5 maximum
- Load Regulation: 5% output current variation across load range
- Line Regulation: 1% output voltage variation across voltage range
- Driver Off-State Draw ..... 0 Watts
- Vibration Compliance ..... 3G
- Universal Input Line Voltage ..... 120-277 VAC
- Input Line Frequency ..... 50/60 Hz
- Projected (L70) @ 25°C ..... > 100,000 hrs.
- Color Temperature ..... 5,000°K
- Color Rendering Index (CRI) ..... > 80
- Minimum Starting Temperature ..... -40°C
- Maximum Starting Temperature ..... +50°C
- Lumens per Watt ..... > 100
- Power Factor ..... > 0.90
- Total Harmonic Distortion ..... < 20%
- FCC Compliance ..... Part 15, Subp. C
- Housing IP Rating ..... IP65
- Driver IP Rating ..... IP67
- Optics IP Rating ..... IP68
- Warranty ..... 10 Year

## COVERAGE RECOMMENDATIONS



## MOUNTING OPTIONS

Slip Fitter



1-1/2" I.D.  
Accepts up to 1-1/4"  
Round or Square Pole

## FOR BEST RESULTS

- Fixtures should be mounted at least 6 ft. from the surface of the board
- Fixtures should be mounted at 30° pre-adjusted at factory.

Neptun Light, Inc.  
13950 Business Center Drive  
Lake Forest, IL 60045  
Fax: 847.735.8004

Neptun Light, Inc. reserves the right to change materials or modify the design of its product without notification as part of the company's continuing product improvement program.  
©2002-2016 Neptun Light, Inc. All rights reserved.

Spec. Rev. 7-2016