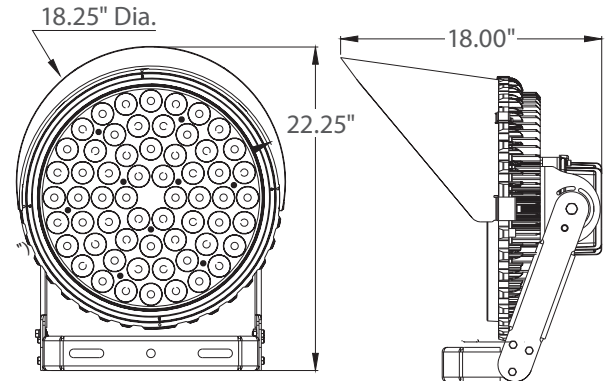




** AVAILABLE **

0 - 10V

FULL DIMMING



Incredible **100,000** hrs

GENERAL DESCRIPTION

Neptun's LED Sports/Flood Lighter fixture features an architectural design and durability to be used in new construction or retrofit applications. The LED-FL3 series fixture features excellent optics and its rugged design allows for use in a variety of indoor and outdoor applications. It can replace existing HID & HPS fixtures up to 1500 Watts.

APPLICATION

- Sports Field Lighting
- Sports Arena Lighting
- Gymnasium Lighting
- High-Mast Lighting
- Yard Lighting
- Area & Storage Lighting

STRUCTURE, MATERIALS, & FEATURES

- Pure aluminum housing with cooling fins.
- Heat and impact resistant polycarbonate lens.
- Continuous silicone gasket surrounds lens for IP65 weather - tight seal.
- Instant-On flicker-free Cold Start and Hot Re-Start.
- LED engine design with Advanced Thermal Management.
- High Output LED's.
- High power factor, low THD driver with 6kV/3kA surge protection.
Optional 20kV/10kA surge protector available.
- Up to 20 year maintenance free operation.
- 5 Year Warranty on complete fixture. (LED's, Driver, & Housing)
- **Optional:** 0-10V Dimming, Wi-Fi Control, Remote Monitoring and ON/ OFF Control

ORDERING INFORMATION

Sample Number: LED-FL3-500-UNV-0-10VDIM-850-B10-SF
Custom options and accessories available. Please consult factory

Series	Wattage	Voltage	Options	Color Temp	Beam Angle	Accessories
LED-FL3 = Sports / Flood Lighter	300 = 300 W 400 = 400 W 500 = 500 W 600 = 600 W	UNV = 120-277 VAC 347V = 347 VAC 480V = 480 VAC	0-10VDIM = 0-10V Dimming * Contact Factory for dimming options.	841 = 4100°K 850 = 5000°K	B10 = 10° Beam (110lm/w) B30 = 30° Beam (140lm/w) B120 = 120° Beam (160lm/w)	SF = Slip Fitter Mounting Arm SP = 20kV/10kA surge protector



PRODUCT INFORMATION

Model No.	Description	Rated Watts	Delivered Lumens	Universal Line Voltage (VAC)	Max Line Current (Amp) @ 120 - 277	THD	Power Factor	Weight
LED-FL3-300-UNV	LED Flood Light	300	42,000	120-277	2.62 - 1.13	<15%	>0.95	45 lbs
LED-FL3-400-UNV	LED Flood Light	400	56,000	120-277	3.49 - 1.51	<15%	>0.95	45 lbs
LED-FL3-500-UNV	LED Flood Light	500	70,000	120-277	4.37 - 1.89	<15%	>0.95	45 lbs
LED-FL3-600-UNV	LED Flood Light	600	84,500	120-277	5.25 - 2.27	<15%	>0.95	45 lbs

SPECIFICATIONS

- Driver Constant Current
- Start Method InstantON
- Hot Re-start InstantON
- Driver UL Rating Class 1
- Driver UL Outdoor Rated Wet Location
- Sound Rating Class A
- ANSI Surge Protection IEEE C62.41 C High
- Driver Off-State Draw 0 Watts
- Universal Input Line Voltage 120-277 VAC
- Input Line Frequency 50/60 Hz
- Projected (L70) @ 25°C > 100,000 hrs.
- Color Temperature 4,100°K / 5,000°K
- Color Rendering Index (CRI) > 80
- Beam Angle 10°/30°/120°
- Minimum Starting Temperature -40°C
- Maximum Starting Temperature +50°C
- Lumens per Watt > 130
- Shock / Vibration Resistant Yes
- Power Factor > 0.95
- Total Harmonic Distortion < 15%
- Inrush Current Peak < 10 Amp
- FCC Compliance Part 15, Subp. C
- EPA Rating 2.05 ft.²
- Housing IP Rating IP65
- Driver IP Rating IP67
- Warranty 5 Year

MOUNTING OPTIONS

Yoke Mount (Standard)



Slip Fitter Mount (SF)



Neptun Light, Inc.
13950 Business Center Drive
Lake Forest, IL 60045
Fax: 847.735.8004

Neptun Light, Inc. reserves the right to change materials or modify the design of its product without notification as part of the company's continuing product improvement program.
©2002-2018 Neptun Light, Inc. All rights reserved.

Spec. Rev. 2-2018