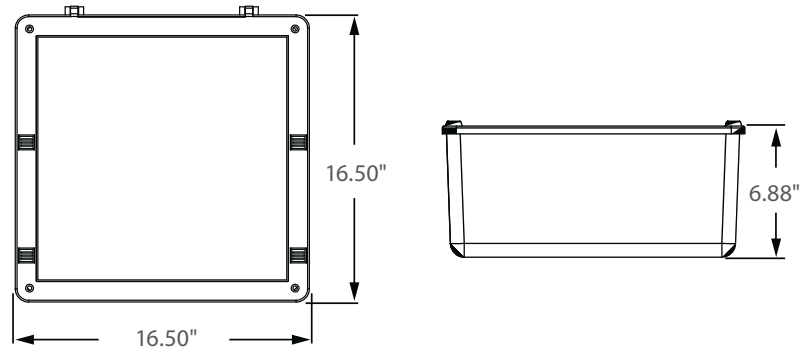


24VDC OPERATION



Incredible OFF GRID Operation

GENERAL DESCRIPTION

Neptun's 16" Induction flood fixture combines classic form and versatility to make it an excellent choice for new construction or retrofit applications. The 38 series flood fixture is offered in a variety of wattages and mounting options to provide maximum flexibility in all types of applications. The 24 Volt DC driver allows for compatible use with Solar or Wind powered systems. It can replace existing HID fixtures up to 250W.

APPLICATION

- Solar Parking Lot Lighting
- Solar Car Lot Lighting
- Solar Area & Storage Lighting
- Solar Street Lighting
- Solar Walkway Lighting
- Solar Building Accent Lighting
- Solar Sign / Monument Lighting

STRUCTURE, MATERIALS, & FEATURES

- Heavy-gauge, die-cast aluminum housing.
- Custom designed anodized aluminum reflectors for superior illuminance.
- Heat and impact resistant tempered flat glass lens. (IESNA full-cutoff)
- Integral structural support plate for mounting arm ensures strength.
- Corrosion resistant electrocoat dark bronze finish (custom colors available).
- Hinged aluminum door frame incorporates stainless steel hardware.
- Continuous silicone gasketing surrounds lens for weather - tight seal.
- Inductively coupled circular induction bulb.
- High power factor, 24 Volt DC ballast.
- Instant-On flicker-free Cold Start and Hot Re-Start.
- High quality glare-free light with high CRI above (83).
- Bright white light (5000°K) for greater visibility and safety.
- Advance phosphors for high lumen output and high lumen maintenance.
- Up to 20 year maintenance free operation.
- 10 Year Warranty.

ORDERING INFORMATION

Sample Number: 38080-24VDC-SF-850-LD-BRZ
Custom options and accessories available. Please consult factory

Series	Lamp Wattage	Voltage	Mounting	Color Temp	Accessories	Color
38 = 16" Flood	040 = 40 W 080 = 80 W 100 = 100 W 120 = 120 W 150 = 150 W	24VDC = 24 VDC	SF = Slip Fitter YK = Yoke Bracket	830 = 3000°K 841 = 4100°K 850 = 5000°K* * Standard	LD = Light Detector/Photocell MD = Motion Sensor Detector	BRZ = Dark Bronze * Custom Colors Available



PRODUCT INFORMATION

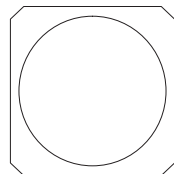
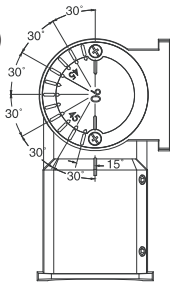
Model No.	Description	Rated Watts	Input Watts	Initial Lumens	Input Line Voltage (VDC)	Max Line Current (Amp)	Power Factor	Weight
38040-24VDC	16" Flood Fixture	40	41	3,200	24	1.74	0.98	25 lbs
38080-24VDC	16" Flood Fixture	80	82	6,400	24	3.49	0.98	28 lbs
38100-24VDC	16" Flood Fixture	100	105	8,000	24	4.37	0.98	28 lbs
38120-24VDC	16" Flood Fixture	120	125	9,600	24	5.25	0.98	28 lbs
38150-24VDC	16" Flood Fixture	150	158	12,000	24	6.56	0.98	28 lbs

SPECIFICATIONS

- Ballast Type Electronic
- Start Method InstantON
- Hot Re-start InstantON
- Input Line Voltage 24 VDC
- Input Line Frequency 50/60 Hz
- Lamp Operating Frequency 250 kHz
- Ballast Off-State Draw 0 Watts
- Sound Rating Class A
- Lamp / Ballast System Life 100,000 Hrs.
- Lumen Maintenance @75,000Hrs > 70%
- Color Temperature 5000°K
- Color Rendering Index (CRI) > 83
- Minimum Starting Temperature -20°F
- Maximum Starting Temperature 160°F
- Initial Lumens per Watt 80
- Shock / Vibration Resistant Yes
- Power Factor > 0.98
- ETL Listed / UL Standard 1598 Yes
- FCC Compliance Part 18, Subp. C
- EPA Rating 0.78
- IP Rating IP65
- Warranty 10 Year

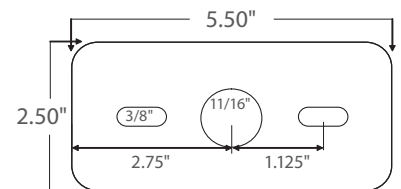
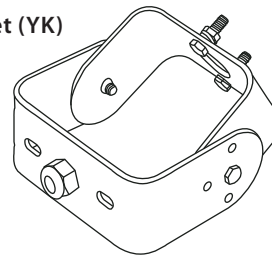
MOUNTING OPTIONS

Slip Fitter (SF)

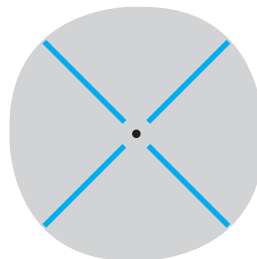


2-1/2" I.D.
Accepts up to 2-3/8"
Tenon or Pipe

Yoke Bracket (YK)



PHOTOMETRICS (See Complete IES File)



Type V Distribution

Neptun Light, Inc.
13950 Business Center Drive
Lake Forest, IL 60045
Fax: 847.735.8004

Neptun Light, Inc. reserves the right to change materials or modify the design of its product without notification as part of the company's continuing product improvement program.
©2002-2013 Neptun Light, Inc. All rights reserved.

Spec. Rev. 1-2013