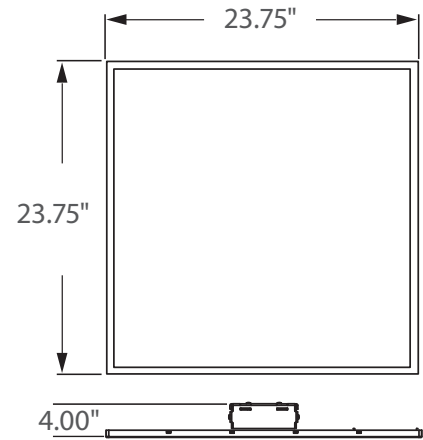


EDGE  
LIT



Not all products are qualified on the DLC QPL. To view our DLC qualified products, please consult the DLC Qualified Products List at [www.designlights.org/qpl](http://www.designlights.org/qpl)

\*\* AVAILABLE \*\*



Incredible **75,000** hrs

### GENERAL DESCRIPTION

Neptun's high performance Edge Lit LED 2 x 2 drop in panels combine architectural form and versatility to make it an excellent choice for new construction or retrofit applications. The 51 series panels are offered in a variety of color temperatures and wattages for flexibility in all types of applications. The edge lit design produces an evenly illuminated glow. Very low temperature operation saves on HVAC costs and long life greatly reduces maintenance costs. Easily installs into most commonly used T-Bar grids.

### APPLICATION

- Office Lighting
- School Lighting
- Healthcare Lighting

### STRUCTURE, MATERIALS, & FEATURES

- Heat sink white aluminum frame for excellent heat dissipation.
- Aluminum backing for excellent thermal management.
- Polyester powder coated frame with white finish.
- Slim, state of the art, low profile design.
- Correlated Color Temperatures of 3500°K, 4100°K, & 5000°K.
- High Output LED's.
- High power factor, low THD driver.
- InstantON flicker-free Cold Start and Hot Re-Start.
- Up to 15 years Maintenance free operation.
- 5 Year Warranty on complete fixture. (LED's, Driver, & Housing)
- **Optional:** Analog/Triac Dimming, 0-10V Dimming, Remote Monitoring, Emergency Battery Backup

### ORDERING INFORMATION

Sample Number: LED-51040-UNV-0-10VDIM-841  
Custom options and accessories available. Please consult factory

Source	Series	Wattage	Driver System	Options	Color Temp.
LED = LED	51 = 2 x 2 panel	040 = 40 W 050 = 50 W	UNV-0-10VDIM = 120-277VAC w/ 0-10V Dimming Driver 120V-ADIM = 120V Analog/Triac Dimming	EM-BB10 = Emergency Battery Backup - Used w/ 40w model (10w battery backup - 90min.) EM-BB15 = Emergency Battery Backup - Used w/ 50w model (15w battery backup - 90min.) SFM = Surface Mount Kit	835 = 3500°K 841 = 4100°K 850 = 5000°K



lightinnovations@work™

## PRODUCT INFORMATION

Model No.	Description	Rated Watts	Input Watts	Delivered Lumens	Universal Line Voltage (VAC)	Max Line Current (Amp) @ 120 - 277	THD	Power Factor	Weight
LED-51040-UNV	2x2 Ceiling Panel	40	41	4,400	120-277	0.34 - 0.15	<20%	>0.90	11 lbs
LED-51050-UNV	2x2 Ceiling Panel	50	51	5,500	120-277	0.43 - 0.18	<20%	>0.90	11 lbs

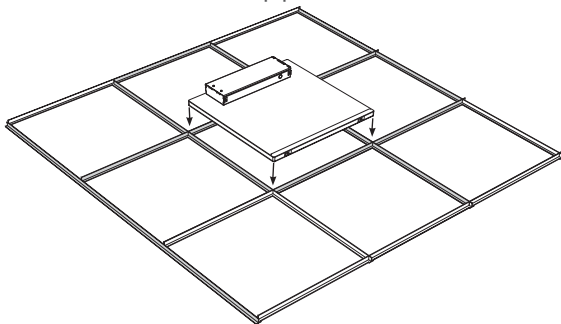
## SPECIFICATIONS

- LED Driver ..... Constant Current
- Power Supply ..... 350mA
- Driver UL Rating ..... Class 1
- Start Method ..... InstantON
- Hot Re-start ..... InstantON
- Input Line Voltage ..... 120-277 VAC
- Input Line Frequency ..... 50/60 Hz
- Ballast Off-State Draw ..... 0 Watts
- Sound Rating ..... Class A
- Projected (L70) @ 25°C ..... > 75,000 hrs.
- Color Temperature ..... 3,500°K, 4,100°K, 5,000°K
- Color Rendering Index (CRI) ..... > 80
- Minimum Starting Temperature ..... -10°C
- Maximum Starting Temperature ..... 40°C
- Lumens per Watt ..... > 100
- Shock / Vibration Resistant ..... Yes
- Power Factor ..... > 0.90
- Total Harmonic Distortion ..... < 20%
- Inrush Current Peak ..... < 10 Amp
- FCC Compliance ..... Part 15, Subp. C
- IP Rating ..... IP43
- Warranty ..... 5 Year

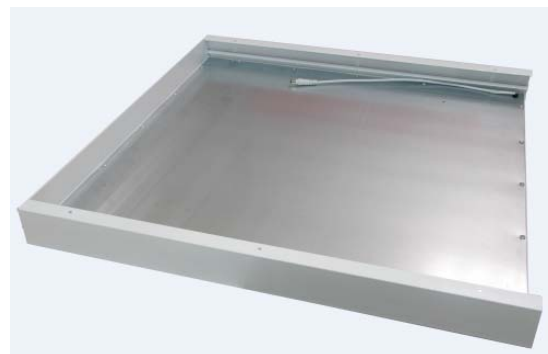
## MOUNTING OPTIONS

### T-BAR GRID SYSTEM (Standard)

- Easy drop in installation in to standard 2x2 t-bar grid system.
- Power cord whip provided.



### SURFACE MOUNT KIT (SFM)



Neptun Light, Inc.  
13950 Business Center Drive  
Lake Forest, IL 60045  
Fax: 847.735.8004

Neptun Light, Inc. reserves the right to change materials or modify the design of its product without notification as part of the company's continuing product improvement program.  
©2002-2016 Neptun Light, Inc. All rights reserved.

Spec. Rev. 1-2017