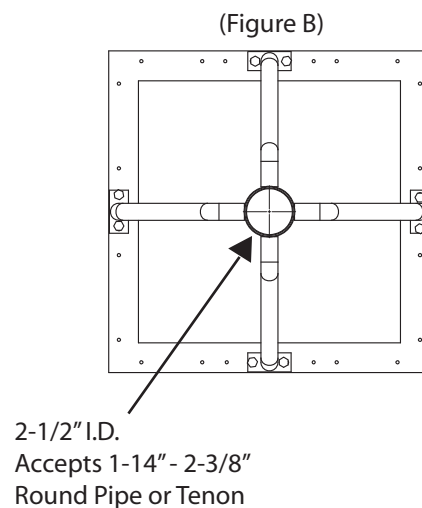
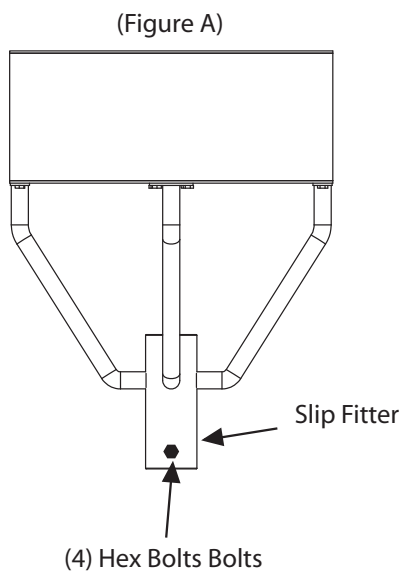


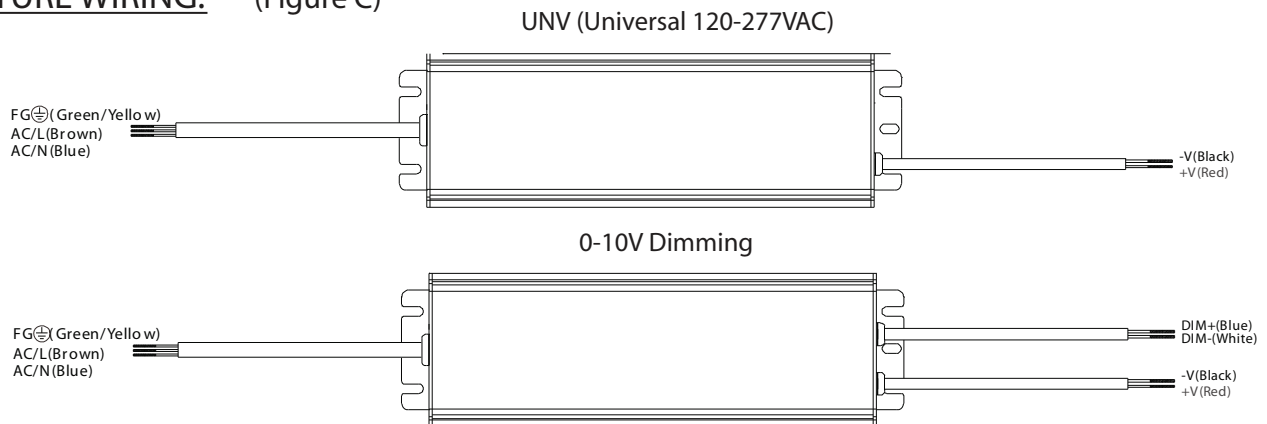


FIXTURE MOUNTING:

- A.) Disconnect Power Supply and remove existing fixtures (if applicable).
- B.) Fixture will be supplied with power cord (whip) located in slip fitter mount. (Figure A)
- C.) Pull power source from existing pole and connect to supplied whip.
 - See (figure C) for wiring diagram.
- D.) Slide fixture onto existing pole and tighten 4 bolts (supplied) located on slip fitter to secure to arm. (Figure A)



FIXTURE WIRING: (Figure C)



CAUTION!

DISCONNECT POWER SUPPLY BEFORE INSTALLATION OR MAINTENANCE.
INSTALLATION OF THIS PRODUCT SHOULD BE DONE BY A FULLY QUALIFIED AND
LICENSED ELECTRICIAN OR TECHNICIAN.